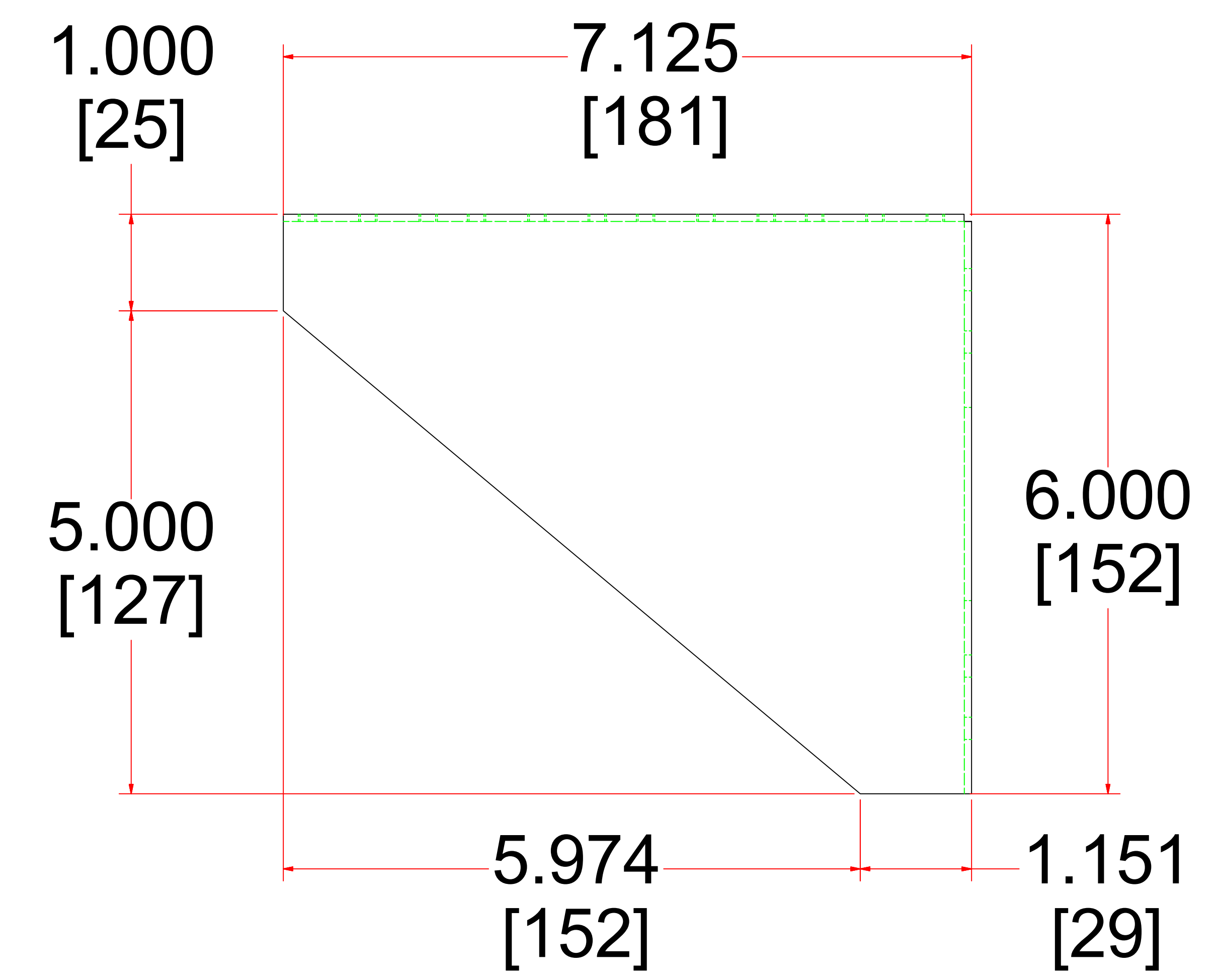
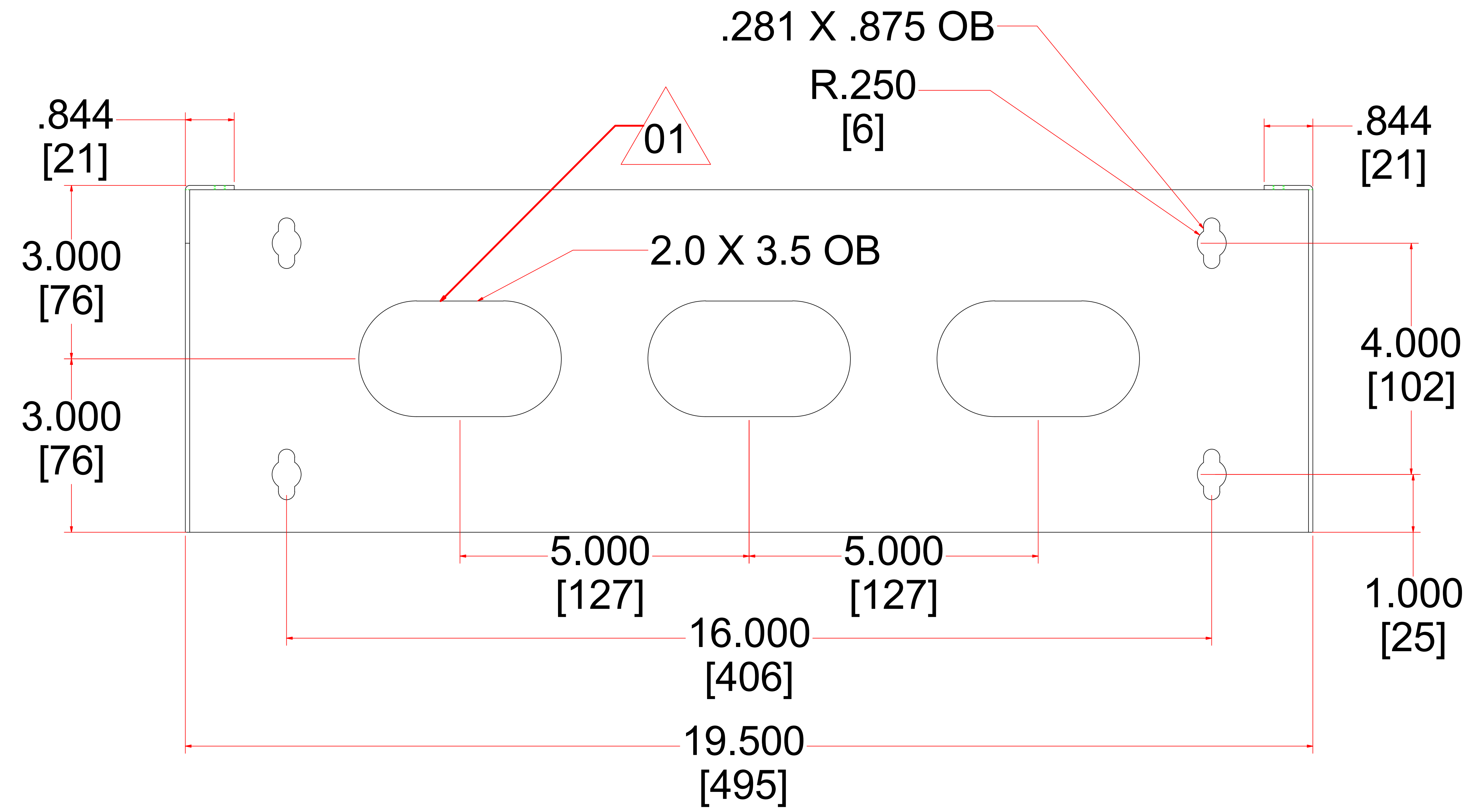
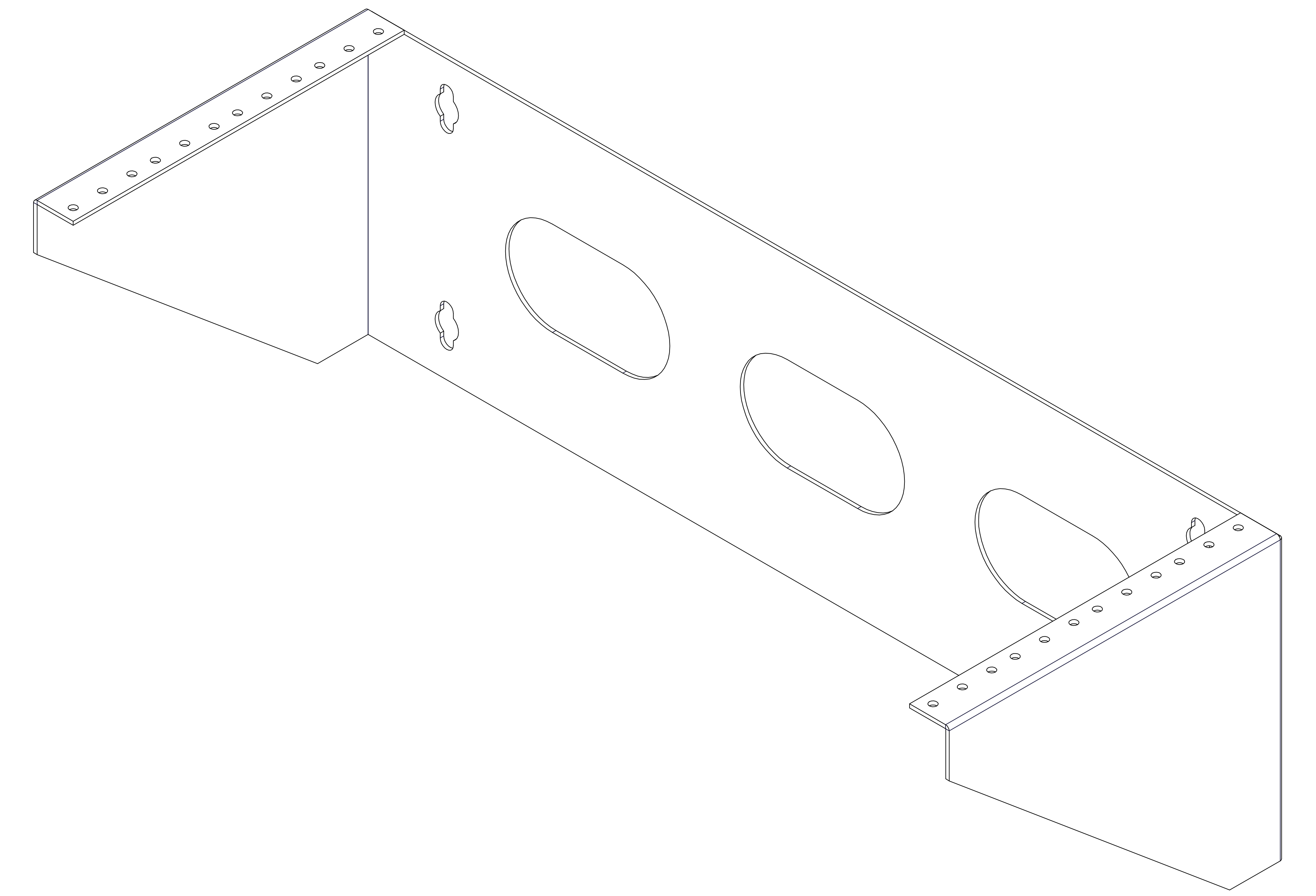
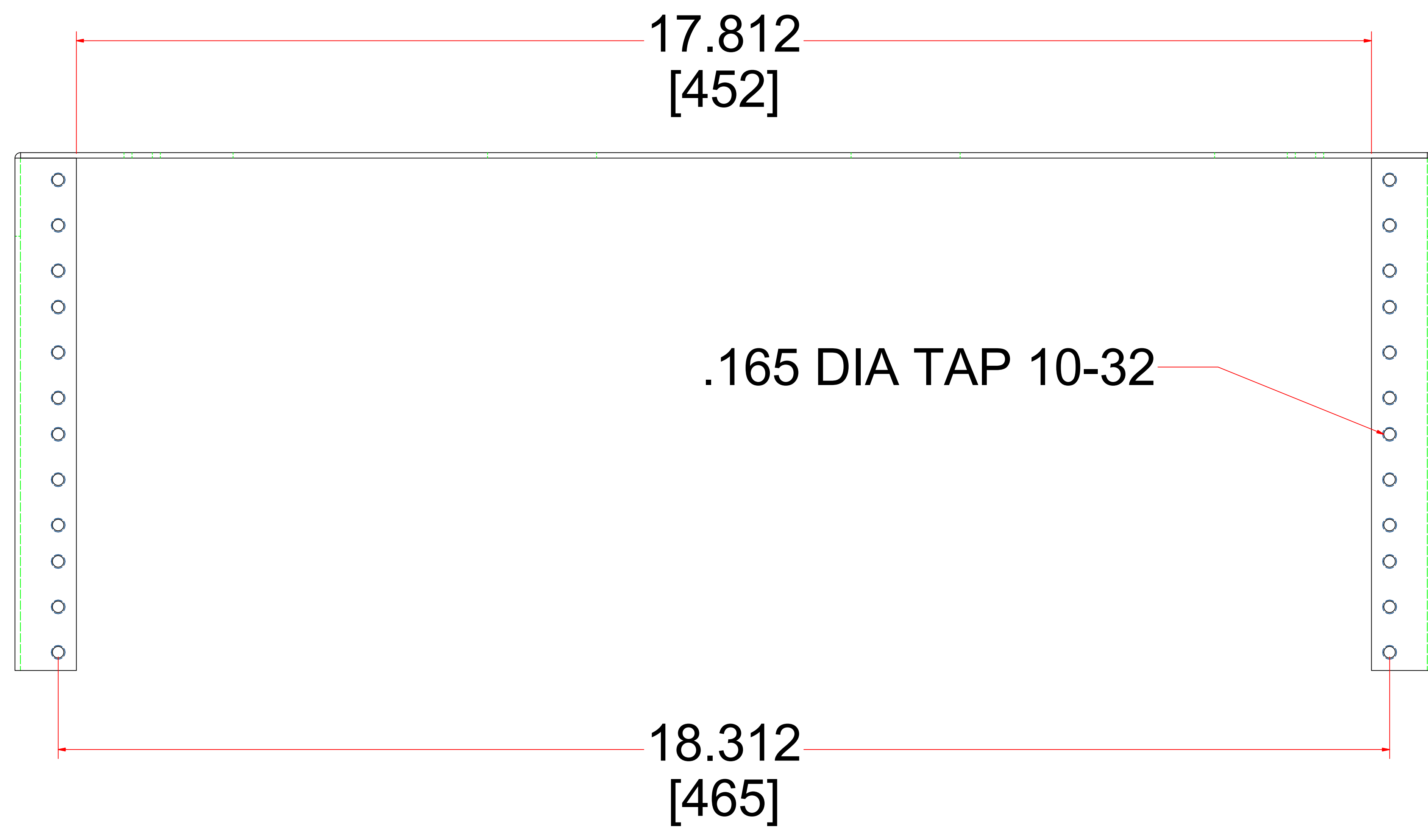


REVISION HISTORY		
RE	DESCRIPTION	DATE
01	ADDED (3) OBOUNDS	DEC 15/17



NOTE: ISOMETRIC VIEW IS NOT TO SCALE

**R.F.MOTE LTD**  
ENGINEERED SYSTEMS

PART NUMBER

**RFM-CMPB-4U-7**

The information contained herewithin is proprietary and confidential to **R.F.MOTE LTD.** It may not be reproduced or further disseminated, in whole or in part, without prior written consent from **R.F.MOTE LTD.**

DATE 2/28/18	SCALE 1 : 1	SHEET 1 OF 1	WEIGHT 3.425 lbmass	REV 01
-----------------	----------------	-----------------	------------------------	-----------