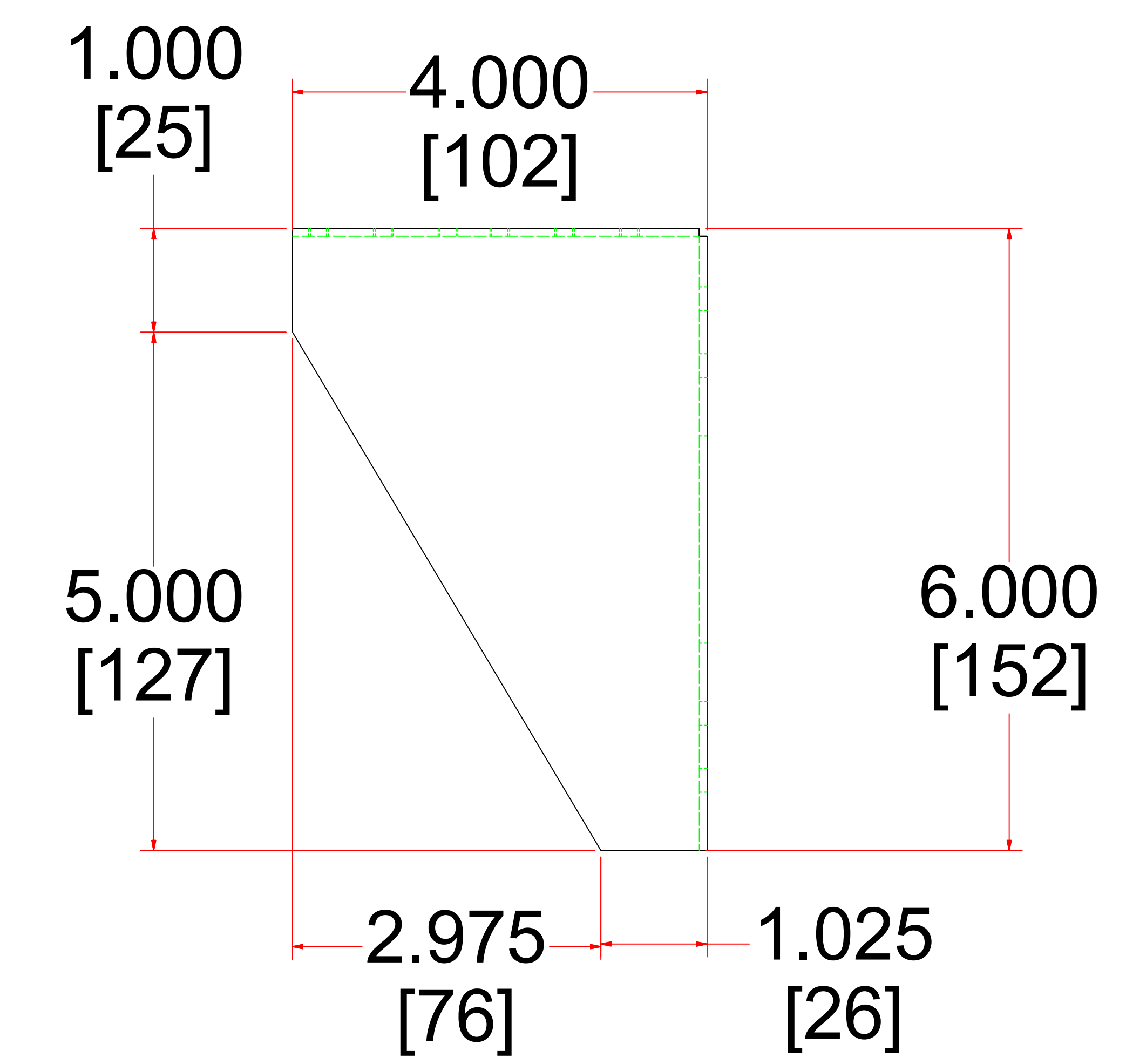
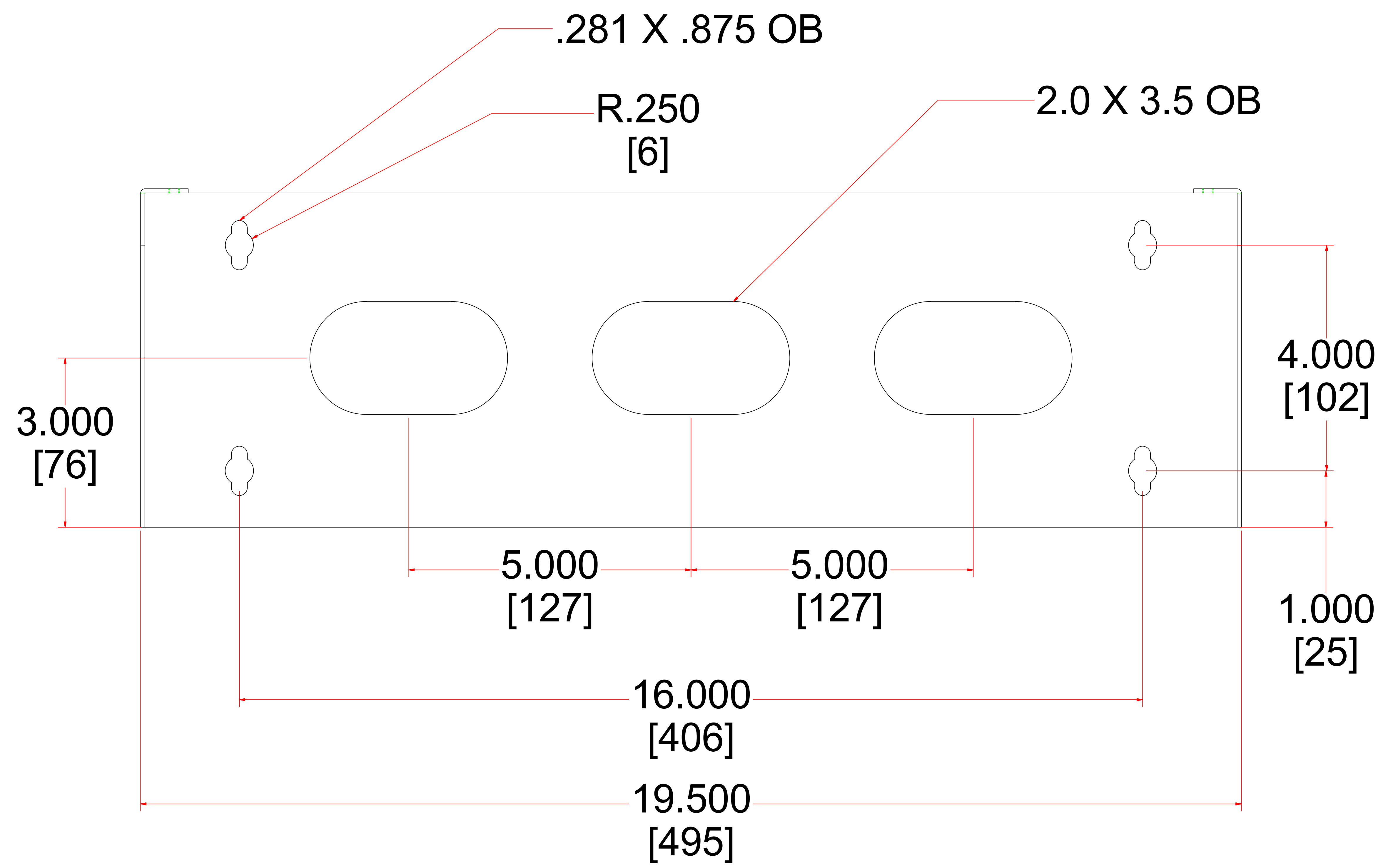
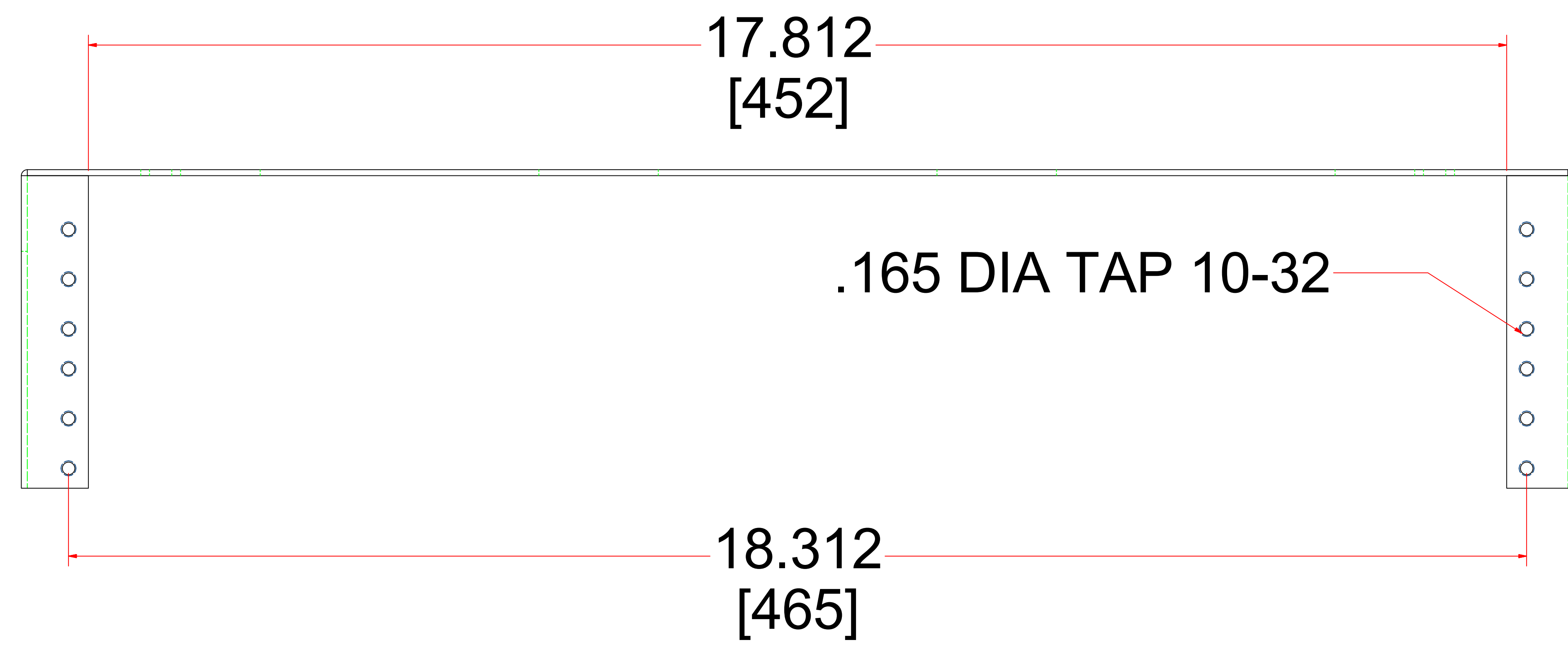
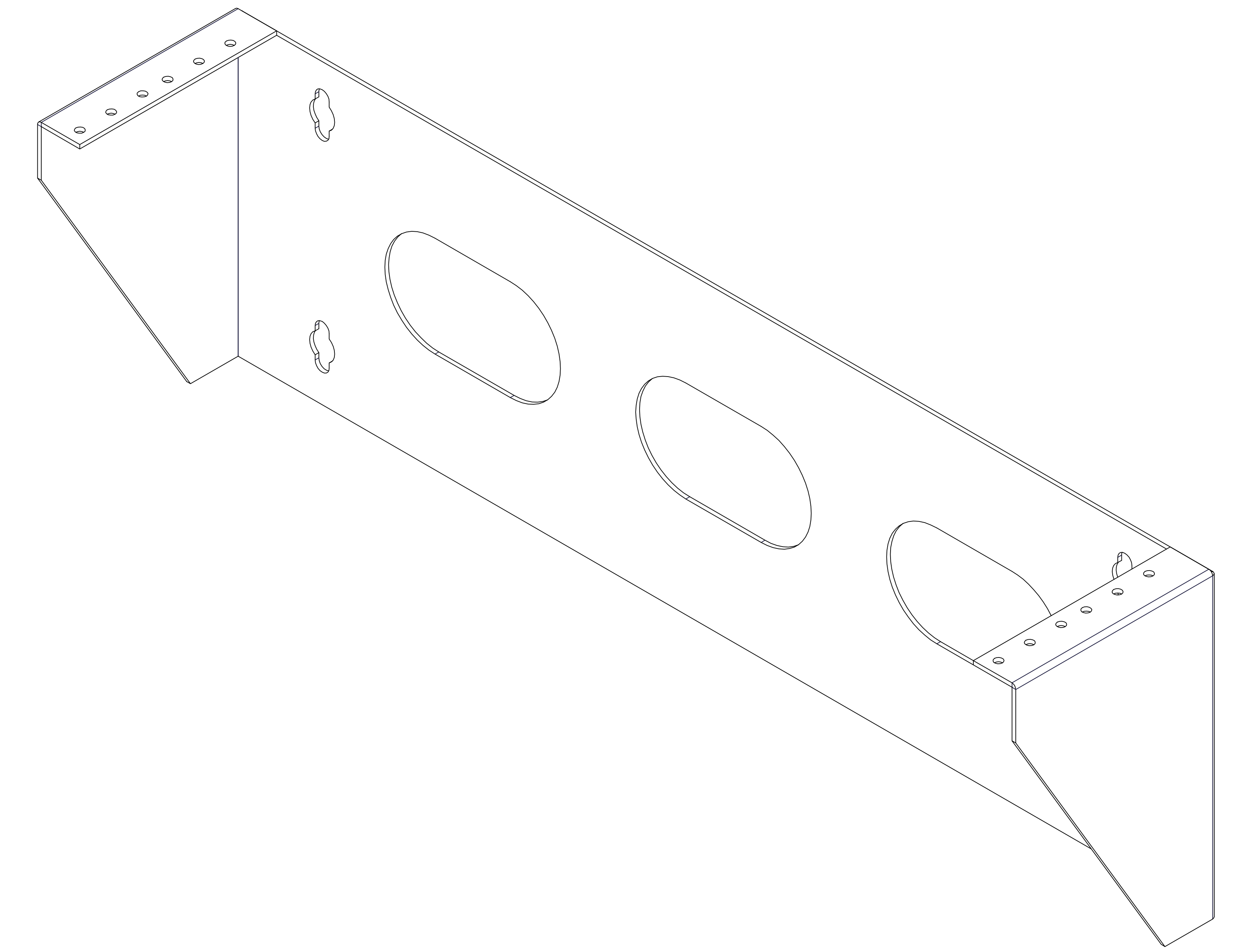


REVISION HISTORY		
REV	DESCRIPTION	DATE
00	ADDED (3) OBROUNDS	DEC 15/17



NOTE: ISOMETRIC VIEW IS NOT TO SCALE

**R.F.MOTE LTD**  
ENGINEERED SYSTEMS

PART NUMBER

**RFM-CMPB-2U-4**

The information contained herewithin is proprietary and confidential to **R.F.MOTE LTD**. It may not be reproduced or further disseminated, in whole or in part, without prior written consent from **R.F.MOTE LTD**.

DATE	SCALE	SHEET	WEIGHT	REV
2/28/18	1 / 1	<b>1 OF 1</b>	2.850 lbmass	<b>01</b>
Please visit <a href="http://www.rfmote.com">www.rfmote.com</a> for more information and specs				