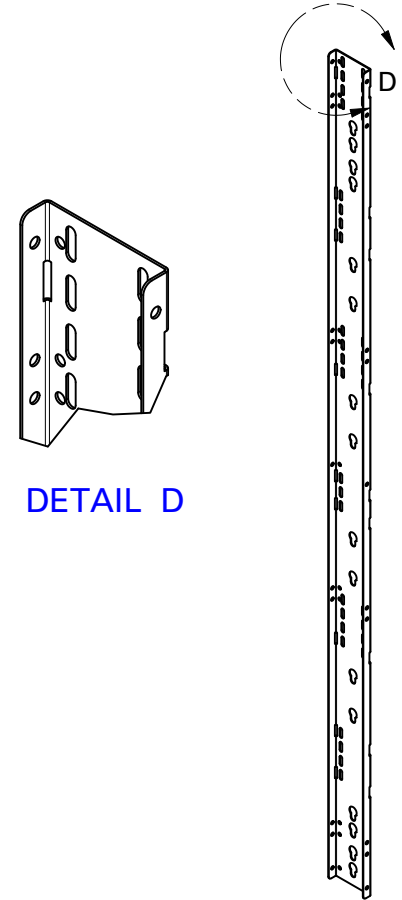
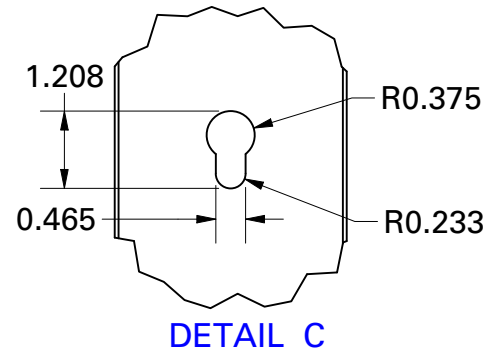
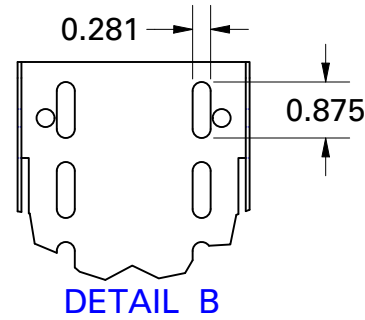
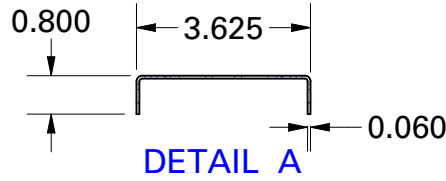
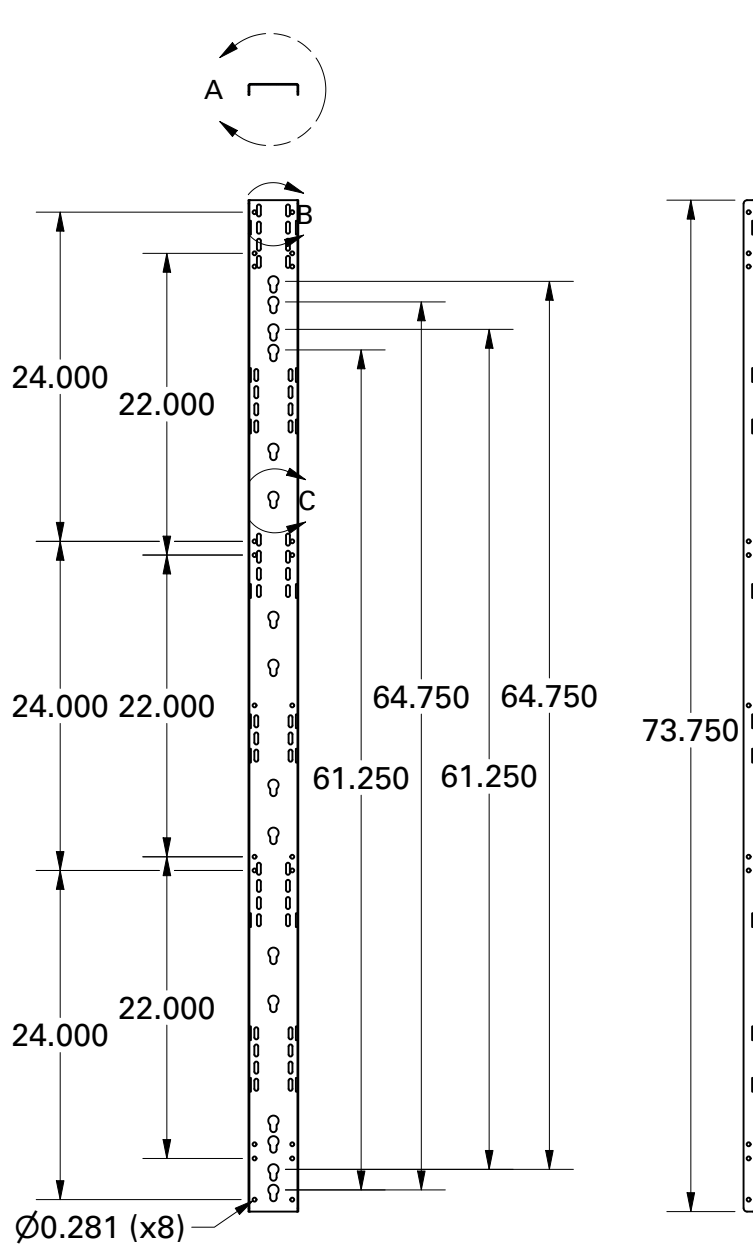


PARTS LIST				
ITEM	QTY	PART NUMBER	REV	CODE
1	4	1/4-20 x 3/4 CARRIAGE BOLT BLACK ZINC		PAU-005
2	4	1/4-20 KEPS NUT BLACK ZINC		PAU-006
3	4	RFM2-T-BOLT-.625		

REVISION HISTORY			
REV	DESCRIPTION	DATE	APPROVED
01	RE-DESIGNED PART. REFERENCE RFM2-PCM-S-90	05-MAR-24	JG



**R.F. MOTE**  
A division of Chatsworth Products

214 NEWKIRK RD.  
RICHMOND HILL, ONTARIO  
L4C 3G7  
PHONE (905) 884-5250  
FAX (905) 737-5188

TOLERANCES
FRAC. $\pm 1/16"$
ANGLE $\pm 1.0^\circ$
HOLES $\pm 0.003"$
0.000 $\pm 0.015"$

DESCRIPTION  
**PDU VCM BRACKET SINGLE**

PART NUMBER  
**RFM2-PCM-S-B**

DATE  
**03-Jan-23**

AUTHOR  
**gillison i**

MASS  
**5.84 lb**

REV  
**01**

**SHEET 1 OF 2**

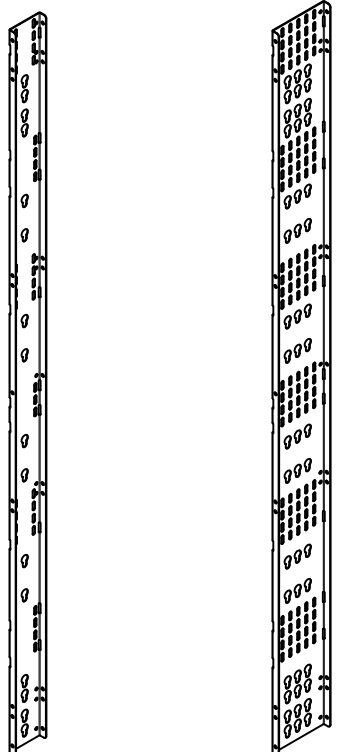
The information contained herewithin is proprietary and confidential to R.F.MOTE LTD. It may not be reproduced or further disseminated, in whole or in part, without prior written consent from R.F.MOTE LTD.

# INSTALLATION OF TOOLES PDU'S

When mouting tooless PDU's, its recommended to use R.F.Mote part numbers either;

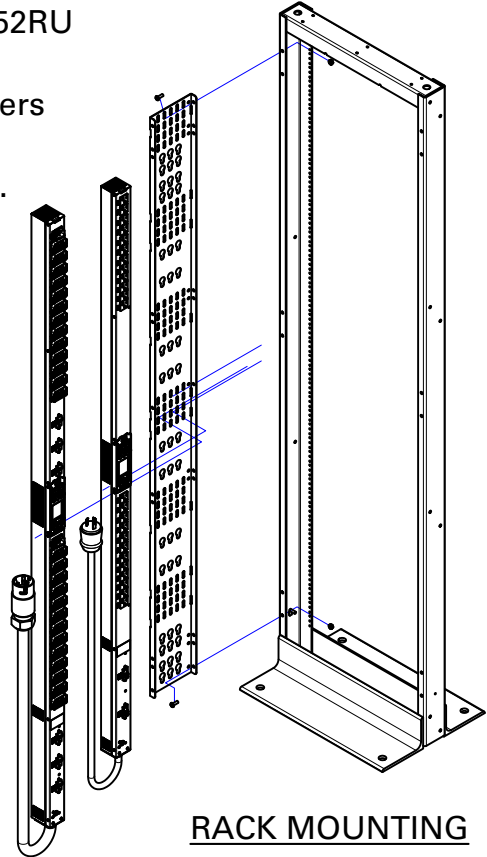
- \* RFM2-PCM-S
- \* RFM2-PCM-D

Both single and dual Power Cable Managers have various mounting locations for a variety of PDU's. These parts can mount to any 44RU Racks on the rear side and in any cabinets ranging from 42RU to 52RU and in RFM-RFPR frames on the inside/outside flat against the depth members or turned 90 degrees for space utilization using the supplied 1/4" fastening hardware. (See images for reference and page 2 for RFPR installs)

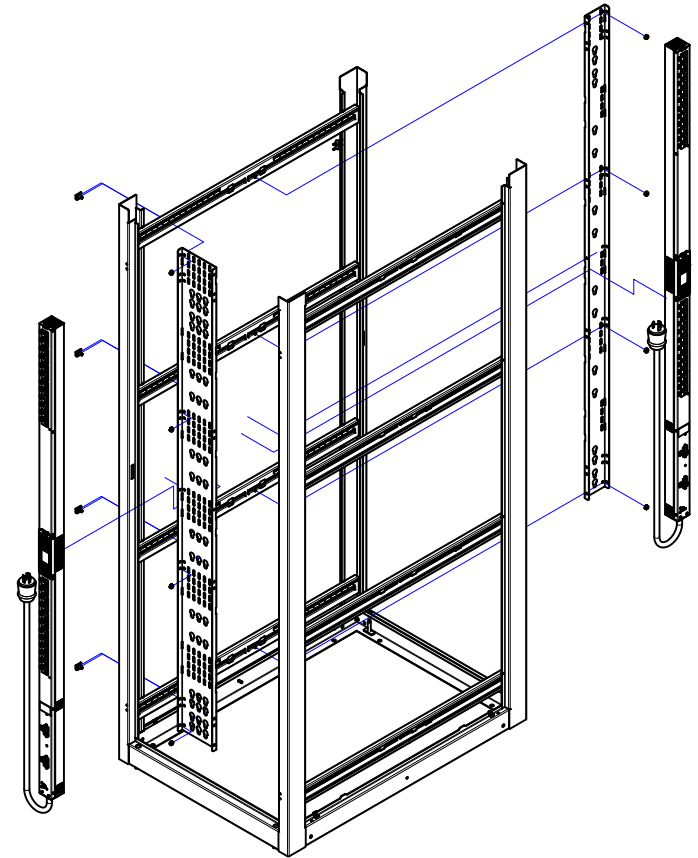


RFM2-PCM-S

RFM2-PCM-D



RACK MOUNTING

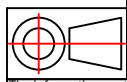


CABINET MOUNTING

**R.F. MOTE**

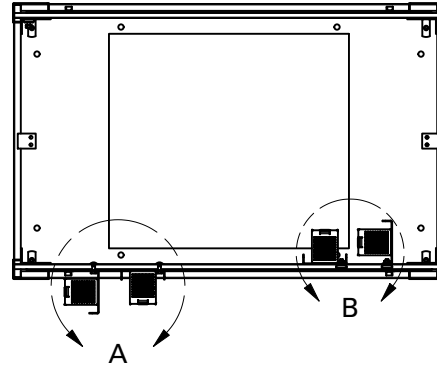
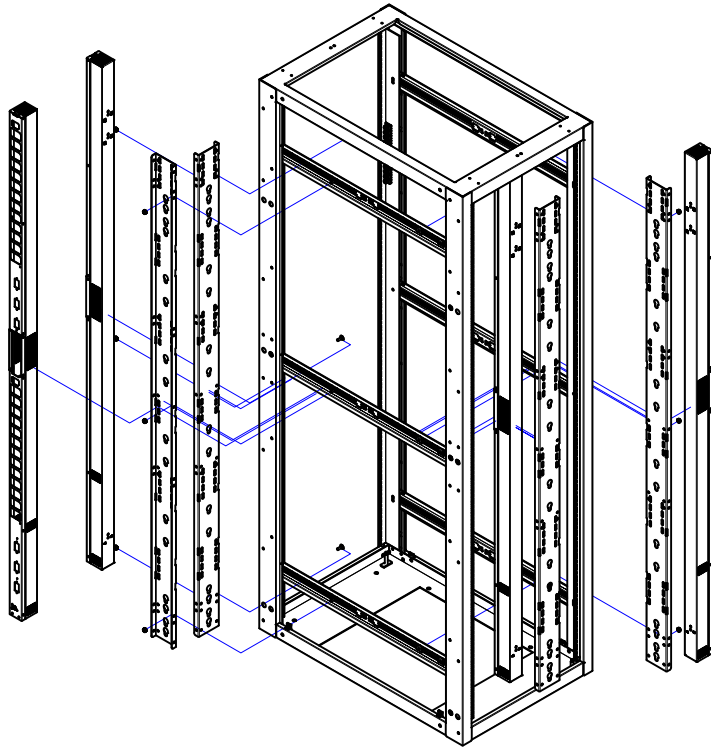
A division of Chatsworth Products

214 NEWKIRK RD.  
RICHMOND HILL, ONTARIO  
L4C 3G7  
PHONE (905) 884-5250  
FAX (905) 737-5188

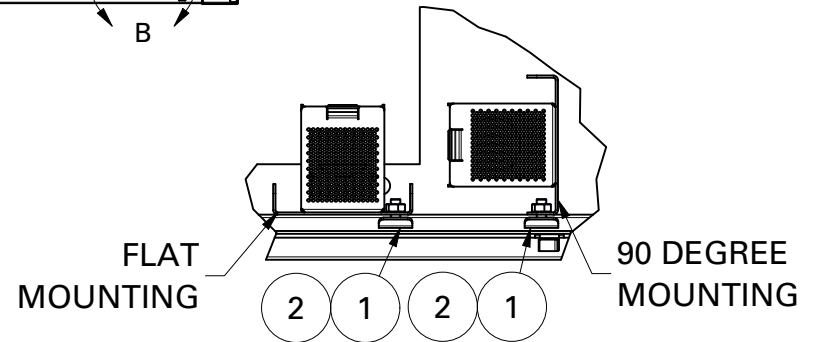
TOLERANCES	DESCRIPTION		
FRAC. ± 1/16"	PART NUMBER <b>GENERIC TOOLES PDU INSTALLATION</b>		
ANGLE ± 1.0°			
HOLES ± 0.003"			
0.000 ± 0.015"	DATE 25-Jun-24	MASS N/A	REV 00
 <p>The information contained herewithin is proprietary and confidential to R.F.MOTE LTD. It may not be reproduced or further disseminated, in whole or in part, without prior written consent from R.F.MOTE LTD.</p>	AUTHOR gillison i	<b>SHEET 1 OF 2</b>	

# INSTALLATION IN RFPR FRAMES

PARTS LIST			
ITEM	QTY	PART NUMBER	REV
1	4	RFM2-T-BOLT-.625	00
2	4	1/4-20 Keps Nut	00
3	4	1/4-20 x 3/4 Carriage Bolt BLK ZINC	00



VIEW FOR REFERENCE  
(TOP REMOVED)



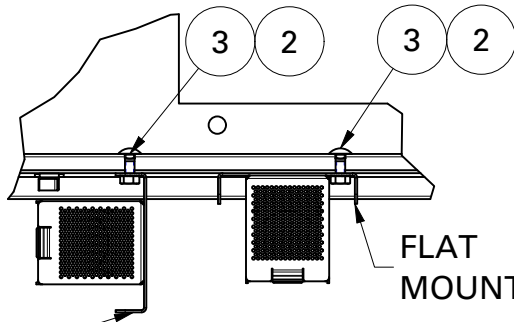
DETAIL B

## INSIDE MOUNTING

(PDU'S FOR VISUAL PURPOSE ONLY)

### NOTE:

If mounting in an RFPR Frame,  
the PCM's will only require (3x)  
qty of appropriate hardware.  
(Notice hardware)



DETAIL A

## OUTSIDE PCM MOUNTING

(PDU'S FOR VISUAL PURPOSE ONLY)

90 DEGREE  
MOUNTING

FLAT  
MOUNTING

### NOTE:

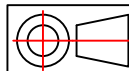
If PCM's are mounting on the outside  
or ordered seperatly, it will be boxed  
with the appropriate hardware.  
(Notice hardware)

# R.F. MOTE

A division of Chatsworth Products

214 NEWKIRK RD.  
RICHMOND HILL, ONTARIO  
L4C 3G7  
PHONE (905) 884-5250  
FAX (905) 737-5188

TOLERANCES	DESCRIPTION	DATE	MASS	REV
FRAC. ± 1/16"	PART NUMBER <b>GENERIC TOOLESS PDU INSTALLATION</b>	25-Jun-24	182.04 lb	00
ANGLE ± 1.0°		AUTHOR gillison i		
HOLES ± 0.003"				
0.000 ± 0.015"				



The information contained herewithin is proprietary  
and confidential to R.F.MOTE LTD.  
It may not be reproduced or further disseminated,  
in whole or in part, without prior written consent from  
R.F.MOTE LTD.