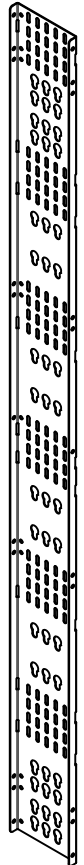
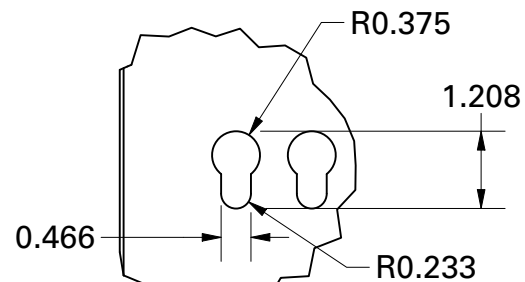
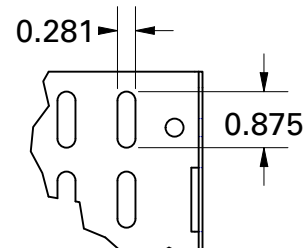
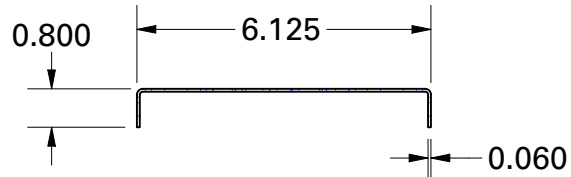
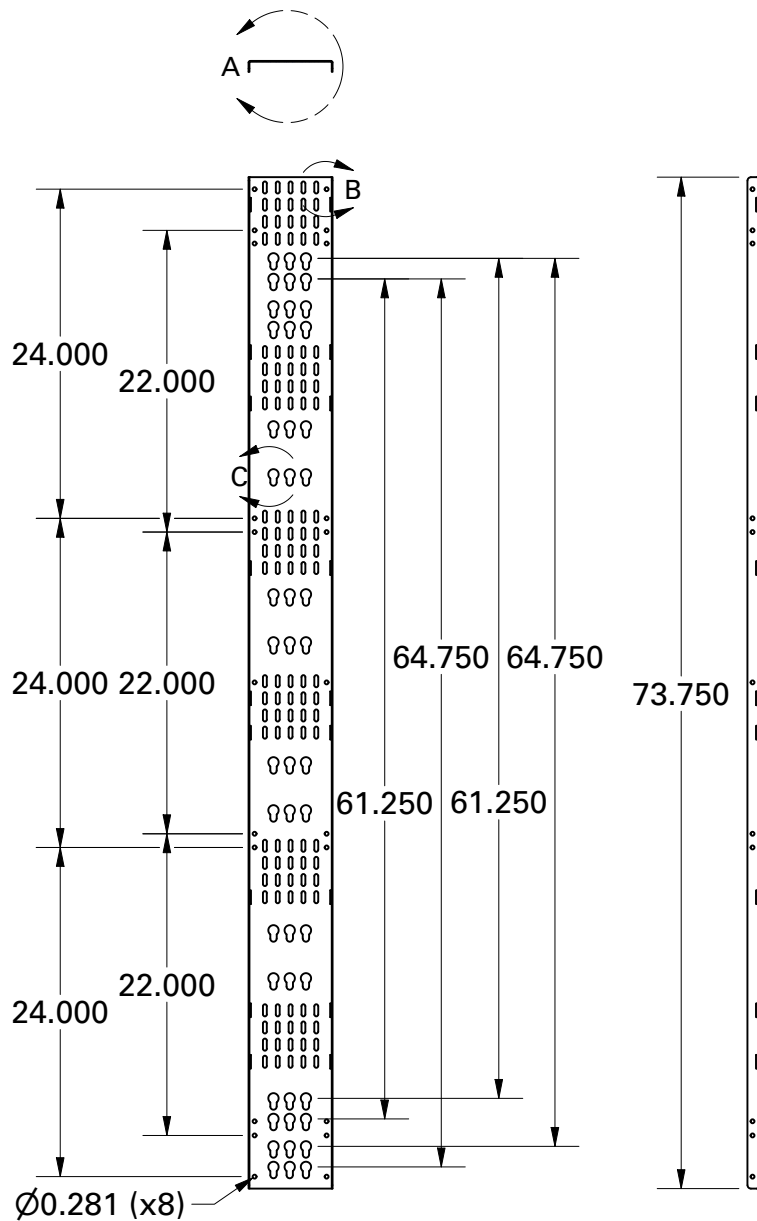


PARTS LIST				
ITEM	QTY	PART NUMBER	REV	CODE
1	4	1/4-20 x 3/4 CARRIAGE BOLT BLACK ZINC		PAU-005
2	4	1/4-20 KEPS NUT BLACK ZINC		PAU-006
3	4	RFM2-T-BOLT-.625		

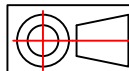
REVISION HISTORY		
REV	DESCRIPTION	DATE
01	RE-DESIGNED PART. REFERENCE RFM2-PCM-D-90	06-MAR-24



R.F. MOTE
A division of Chatsworth Products

214 NEWKIRK RD.
RICHMOND HILL, ONTARIO
L4C 3G7
PHONE (905) 884-5250
FAX (905) 737-5188

TOLERANCES	DESCRIPTION	DATE	MASS	REV
FRAC. $\pm 1/16"$ ANGLE $\pm 1.0^\circ$ HOLES $\pm 0.003"$ 0.000 $\pm 0.015"$	PDU VCM BRACKET DOUBLE	03-Jan-23	8.34 lb	01
	PART NUMBER RFM2-PCM-D-B	AUTHOR gillison i		



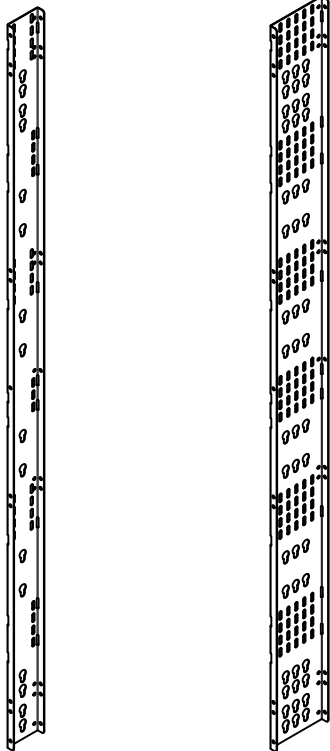
The information contained herewithin is proprietary and confidential to R.F.MOTE LTD. It may not be reproduced or further disseminated, in whole or in part, without prior written consent from R.F.MOTE LTD.

INSTALLATION OF TOOLES PDU'S

When mouting tooless PDU's, its recommended to use R.F.Mote part numbers either;

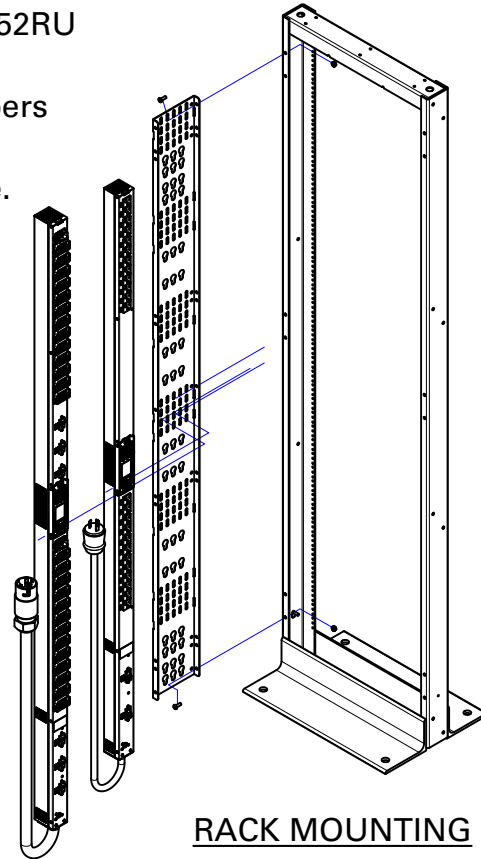
- * RFM2-PCM-S
- * RFM2-PCM-D

Both single and dual Power Cable Managers have various mounting locations for a variety of PDU's. These parts can mount to any 44RU Racks on the rear side and in any cabinets ranging from 42RU to 52RU and in RFM-RFPR frames on the inside/outside flat against the depth members or turned 90 degrees for space utilization using the supplied 1/4" fastening hardware. (See images for reference and page 2 for RFPR installs)

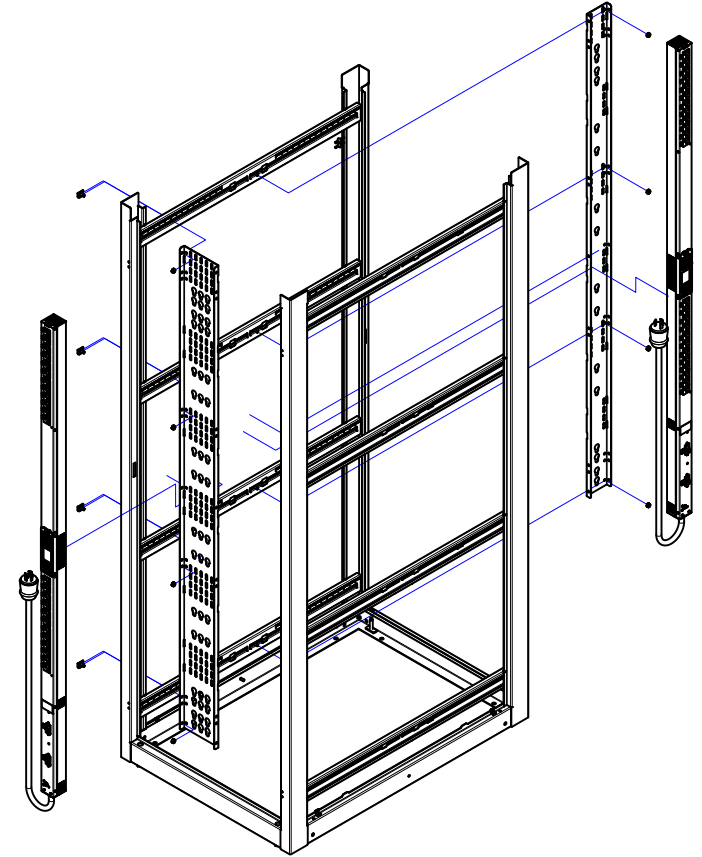


RFM2-PCM-S

RFM2-PCM-D



RACK MOUNTING



CABINET MOUNTING

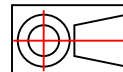
R.F. MOTE

A division of Chatsworth Products

214 NEWKIRK RD.
RICHMOND HILL, ONTARIO
L4C 3G7
PHONE (905) 884-5250
FAX (905) 737-5188

TOLERANCES DESCRIPTION

FRAC. ± 1/16"
ANGLE ± 1.0°
HOLES ± 0.003"
0.000 ± 0.015"



The information contained herewithin is proprietary and confidential to R.F.MOTE LTD. It may not be reproduced or further disseminated, in whole or in part, without prior written consent from R.F.MOTE LTD.

PART NUMBER
GENERIC TOOLES PDU INSTALLATION

DATE
25-Jun-24

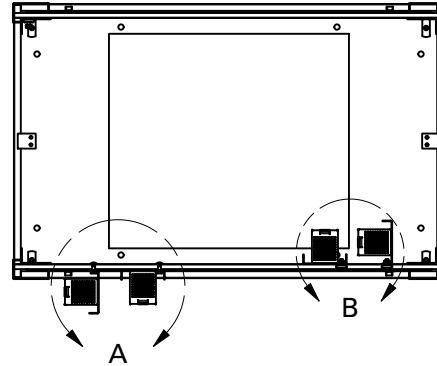
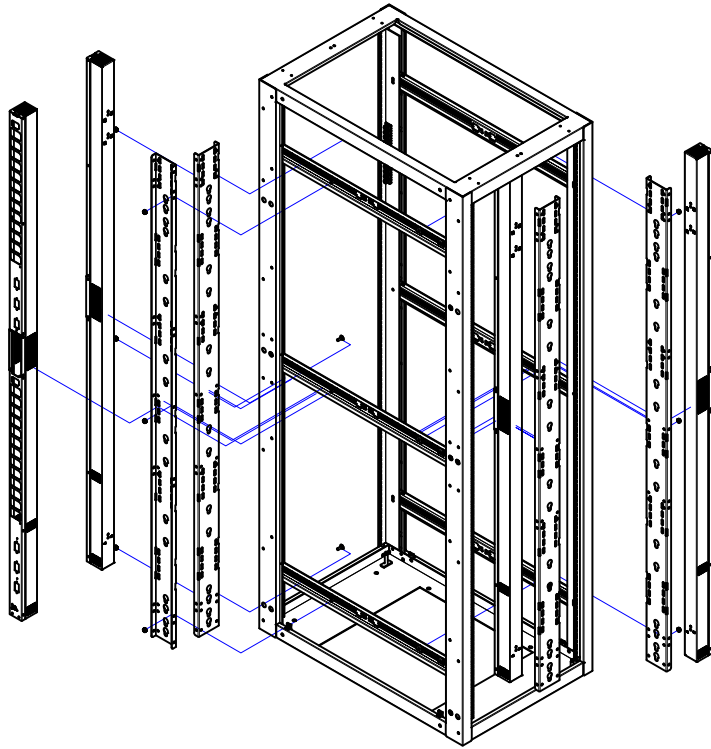
AUTHOR
gillison i

REV
00

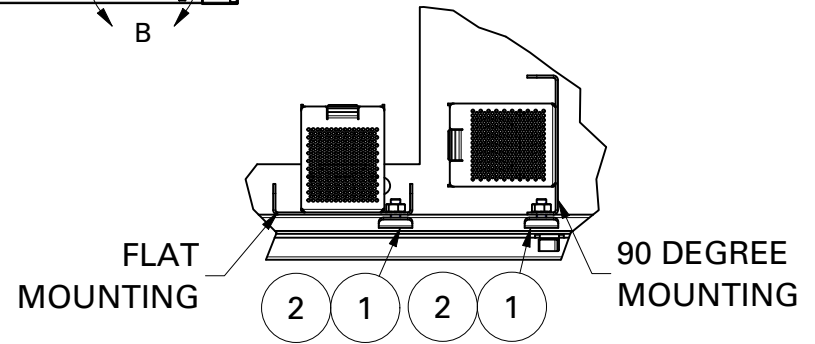
SHEET 1 OF 2

INSTALLATION IN RFPR FRAMES

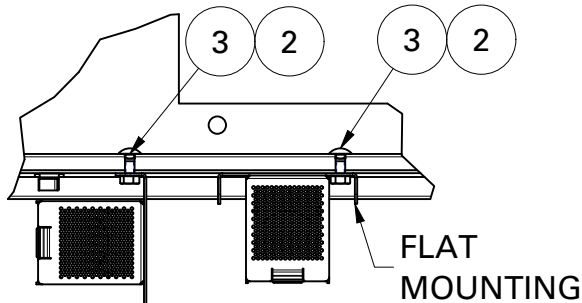
PARTS LIST			
ITEM	QTY	PART NUMBER	REV
1	4	RFM2-T-BOLT-.625	00
2	4	1/4-20 Keps Nut	00
3	4	1/4-20 x 3/4 Carriage Bolt BLK ZINC	00



VIEW FOR REFERENCE
(TOP REMOVED)



DETAIL B
INSIDE MOUNTING
(PDU'S FOR VISUAL PURPOSE ONLY)



90 DEGREE MOUNTING
FLAT MOUNTING
DETAIL A
OUTSIDE PCM MOUNTING
(PDU'S FOR VISUAL PURPOSE ONLY)

NOTE:
If mounting in an RFPR Frame,
the PCM's will only require (3x)
qty of appropriate hardware.
(Notice hardware)

NOTE:
If PCM's are mounting on the outside
or ordered seperatly, it will be boxed
with the appropriate hardware.
(Notice hardware)

R.F. MOTE A division of Chatsworth Products	214 NEWKIRK RD. RICHMOND HILL, ONTARIO L4C 3G7 PHONE (905) 884-5250 FAX (905) 737-5188
---	--

TOLERANCES	DESCRIPTION
FRAC. ± 1/16"	PART NUMBER GENERIC TOOLESS PDU INSTALLATION
ANGLE ± 1.0°	
HOLES ± 0.003"	
0.000 ± 0.015"	DATE 25-Jun-24
	AUTHOR gillison i
	MASS 182.04 lb
REV 00	
SHEET 2 OF 2	

The information contained herewithin is proprietary and confidential to R.F.MOTE LTD. It may not be reproduced or further disseminated, in whole or in part, without prior written consent from R.F.MOTE LTD.