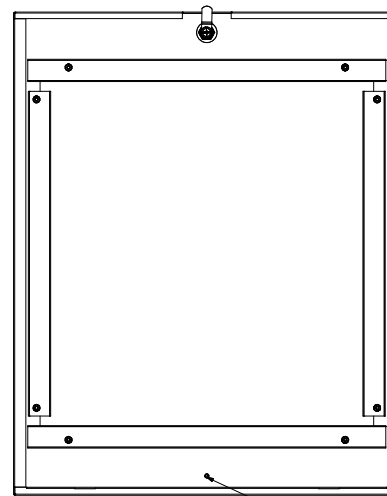
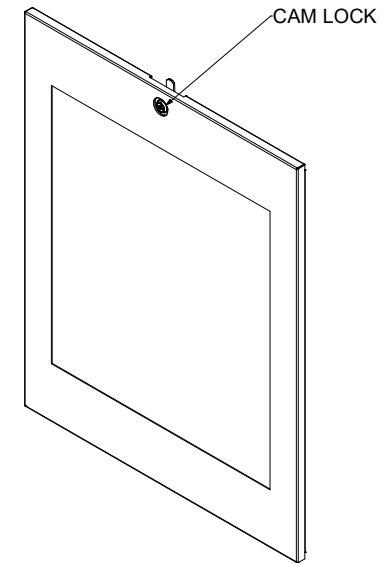


FRONT



BACK



NOTE: ISOMETRIC VIEW IS NOT TO SCALE

R.F.MOTE LTD
ENGINEERED SYSTEMS

PART NUMBER

RFM-3035-4-P

The information contained herewithin is proprietary and confidential to **R.F.MOTE LTD.** It may not be reproduced or further disseminated, in whole or in part, without prior written consent from **R.F.MOTE LTD.**

DATE 17-Aug-20	SCALE 1 : 1	SHEET 1 OF 1	WEIGHT 13.3 lbmass	REV 00
Please visit www.rfmote.com for more information and specs				