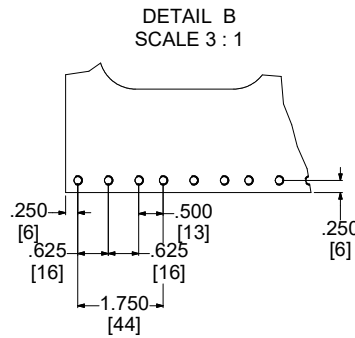
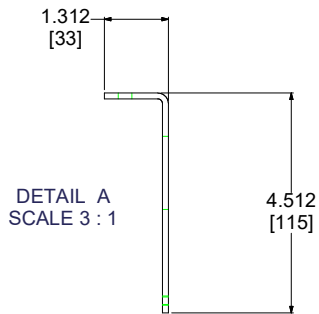
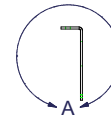
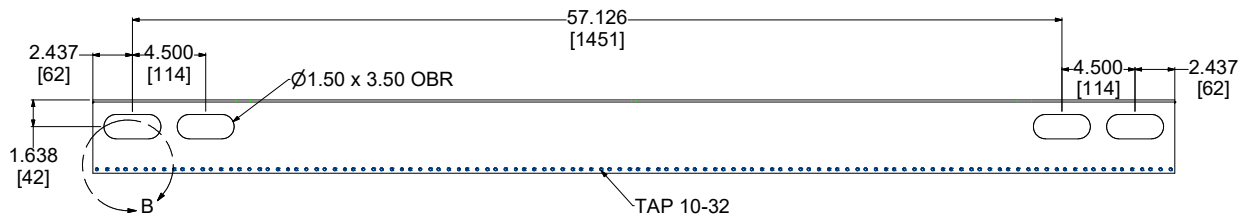
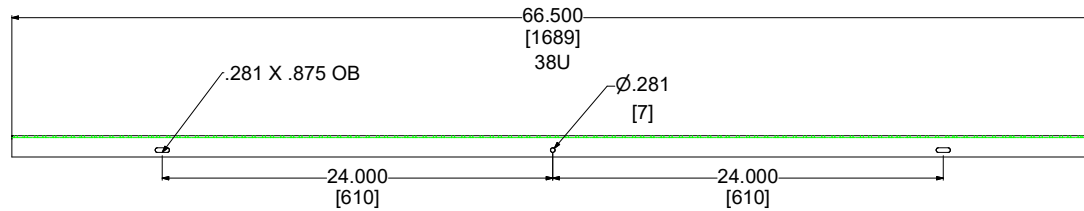
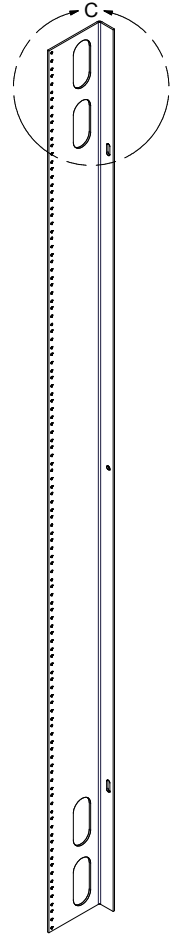


DETAIL C
SCALE 2 : 1



NOTE: ISOMETRIC VIEW IS NOT TO SCALE

NOTE: C/W SILKSCREENED U-MARKING

The information contained herewithin is proprietary and confidential to **R.F.MOTE LTD.** It may not be reproduced or further disseminated, in whole or in part, without prior written consent from **R.F.MOTE LTD.**

| | | | | |
|--|-------|--------------------|-------------|-----|
| R.F.MOTE LTD ENGINEERED SYSTEMS | | | | |
| PART NUMBER | | RFM-1972-MA | | |
| DATE | SCALE | SHEET | WEIGHT | REV |
| 12-Aug-20 | 1 : 1 | 1 OF 1 | 12.0 lbmass | 00 |
| Please visit www.rfmote.com for more information and specs | | | | |