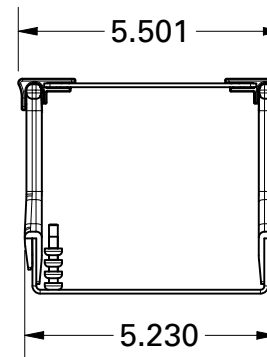
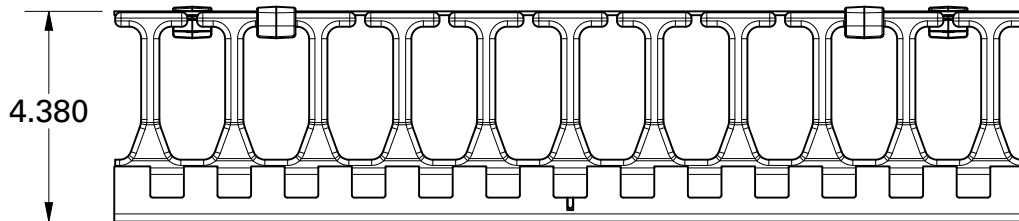
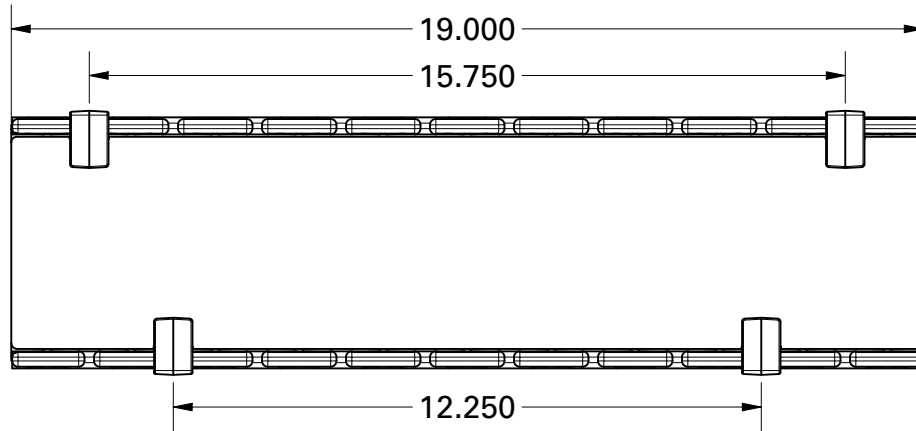
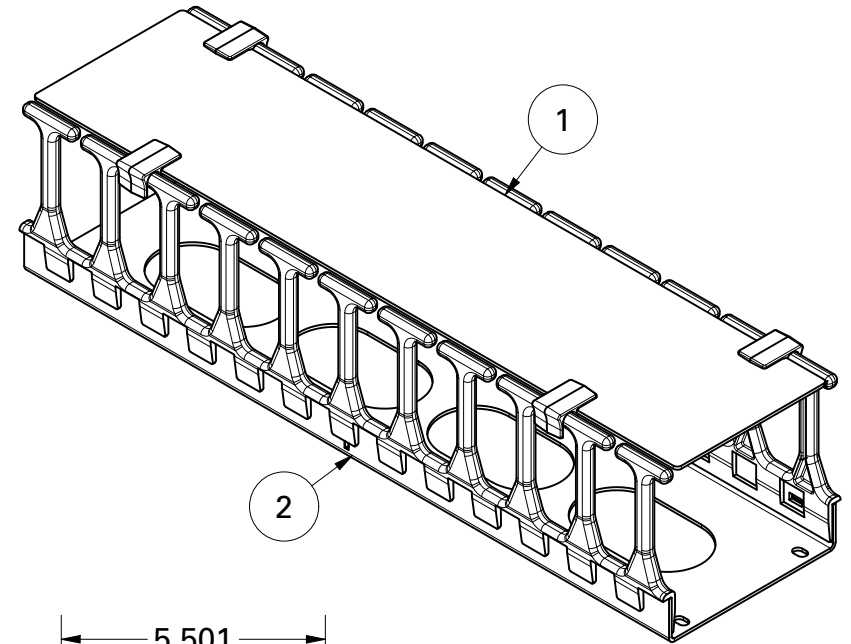


PARTS LIST				
ITEM	QTY	PART NUMBER	REV	CODE
1	1	RFM-193-UNI-HCM-DOOR	00	
2	1	RFM-193-UNI-HCM-BODY-ASSY	00	
3	4	10-32 x 1/2" PAN QUAD MACHINE SCREW (4/BAG)	00	AL4-002

REVISION HISTORY			
REV	DESCRIPTION	DATE	APPROVED
01	PART NAME CHANGED	23-APR-24	JG



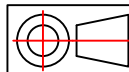
2

R.F. MOTE

A division of Chatsworth Products

214 NEWKIRK RD.
RICHMOND HILL, ONTARIO
L4C 3G7
PHONE (905) 884-5250
FAX (905) 737-5188

TOLERANCES FRAC. ± 1/16" ANGLE ± 1.0° HOLES ± 0.003" 0.000 ± 0.015"	DESCRIPTION 19" EIA HORIZONTAL CABLE MANAGER 3RU		
	PART NUMBER RFM2-193-HCM-F		
DATE 13-Dec-23	MASS 2.06 lb	REV 01	
AUTHOR gillison i	SHEET 1 OF 1		



The information contained herewithin is proprietary and confidential to R.F.MOTE LTD. It may not be reproduced or further disseminated, in whole or in part, without prior written consent from R.F.MOTE LTD.