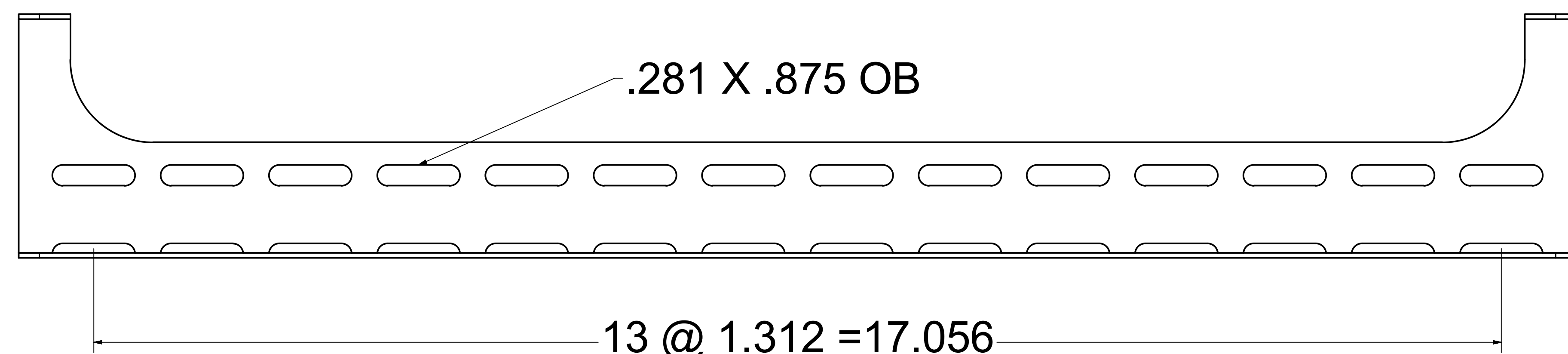
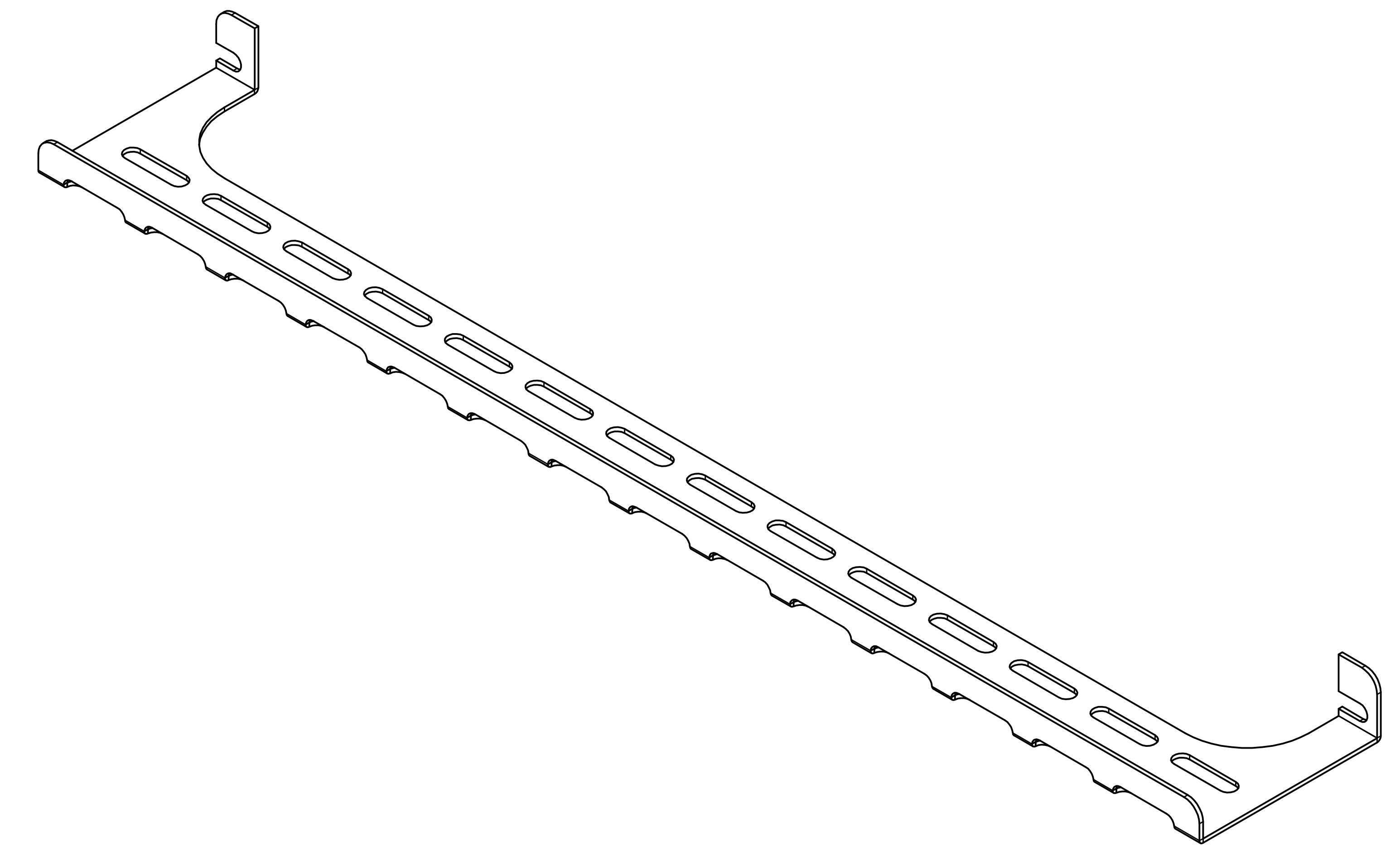
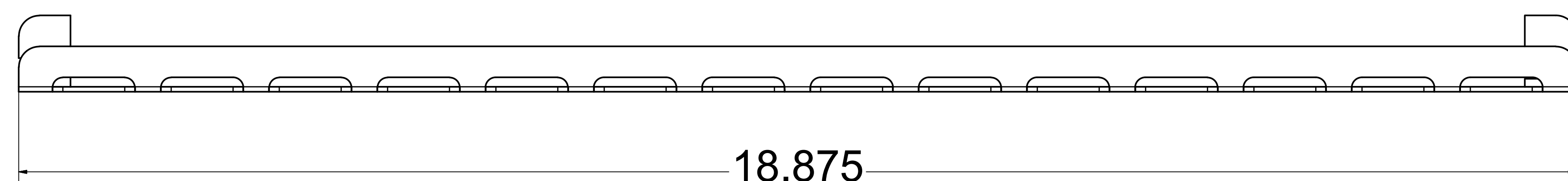


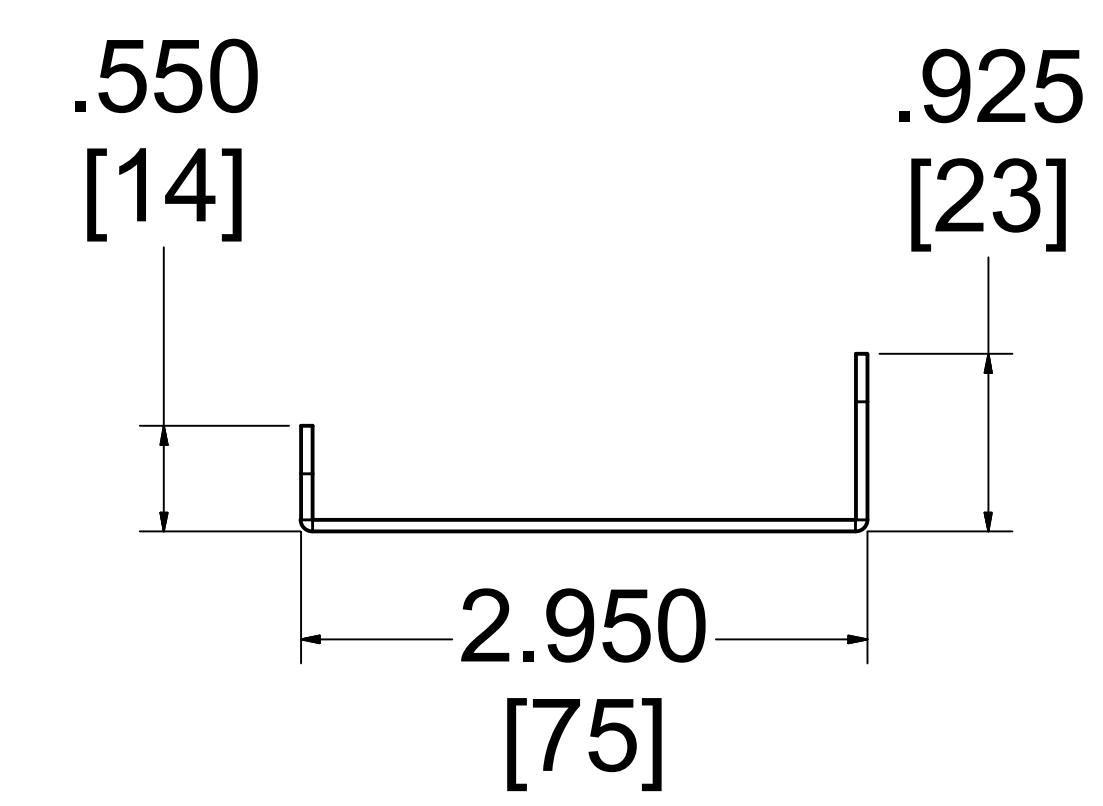
REAR VIEW



TOP VIEW



FRONT VIEW



SIDE VIEW

NOTE: ISOMETRIC VIEW IS NOT TO SCALE

R.F.MOTE LTD
ENGINEERED SYSTEMS

PART NUMBER

RFM-0U-HCM-19

The information contained herewithin is proprietary and confidential to **R.F.MOTE LTD**. It may not be reproduced or further disseminated, in whole or in part, without prior written consent from **R.F.MOTE LTD**.

DATE 3/21/18	SCALE 1 : 1	SHEET 1 OF 1	WEIGHT 0.539 lbmass	REV 00
-----------------	----------------	-----------------	------------------------	-----------