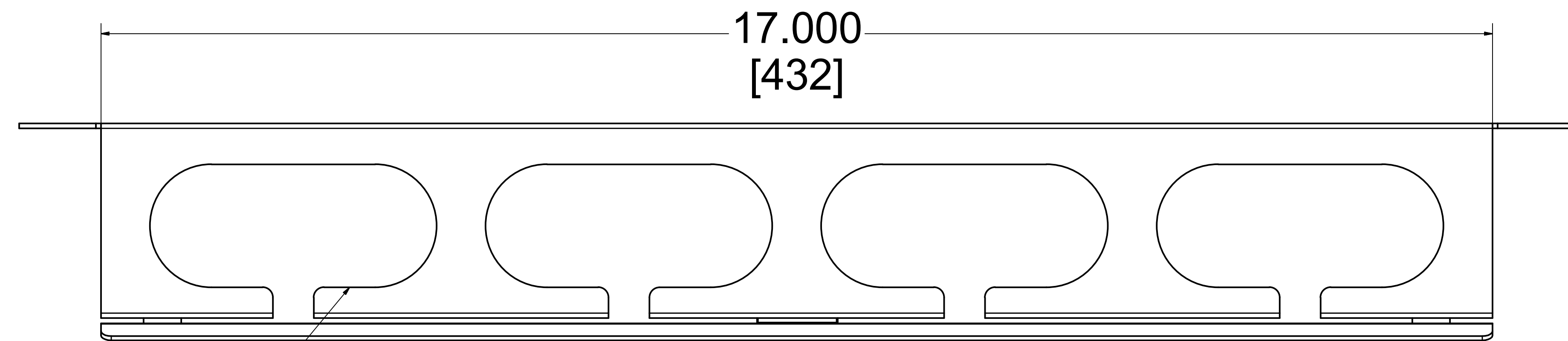
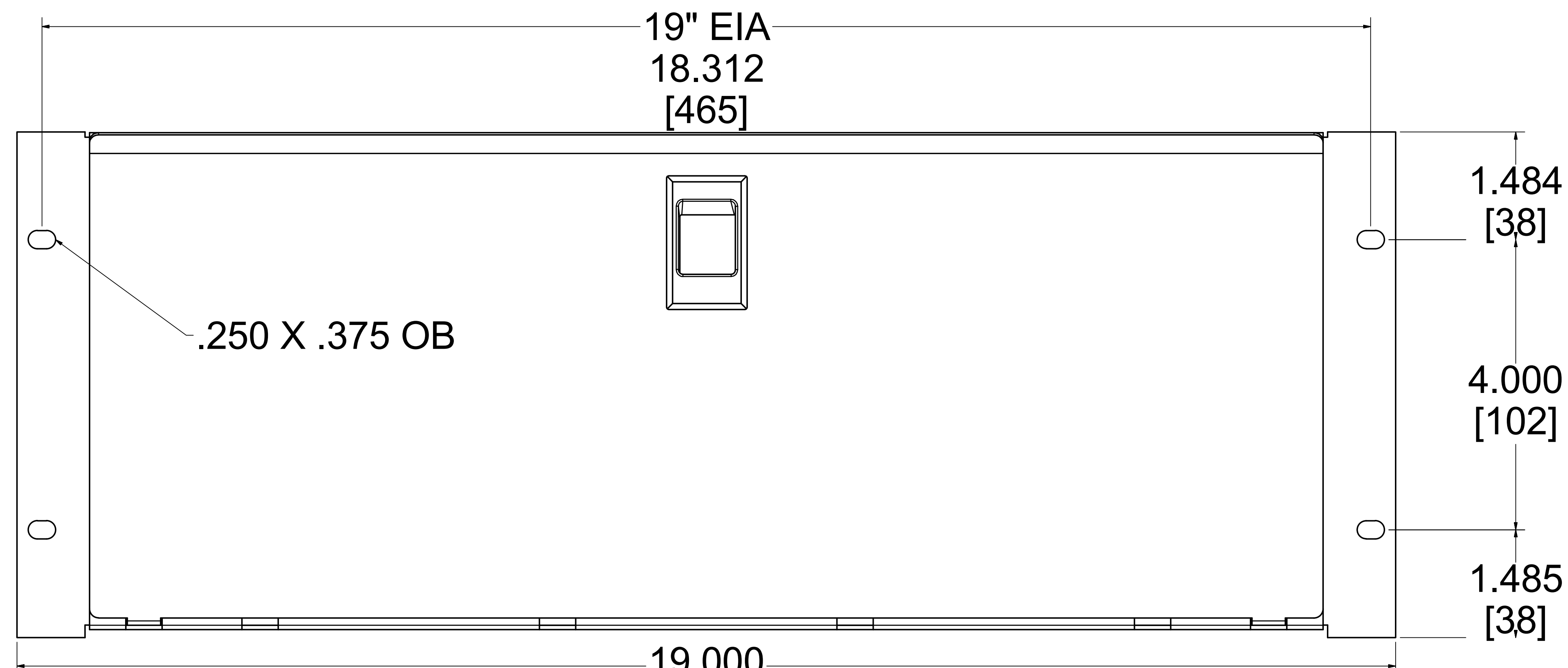


REAR VIEW

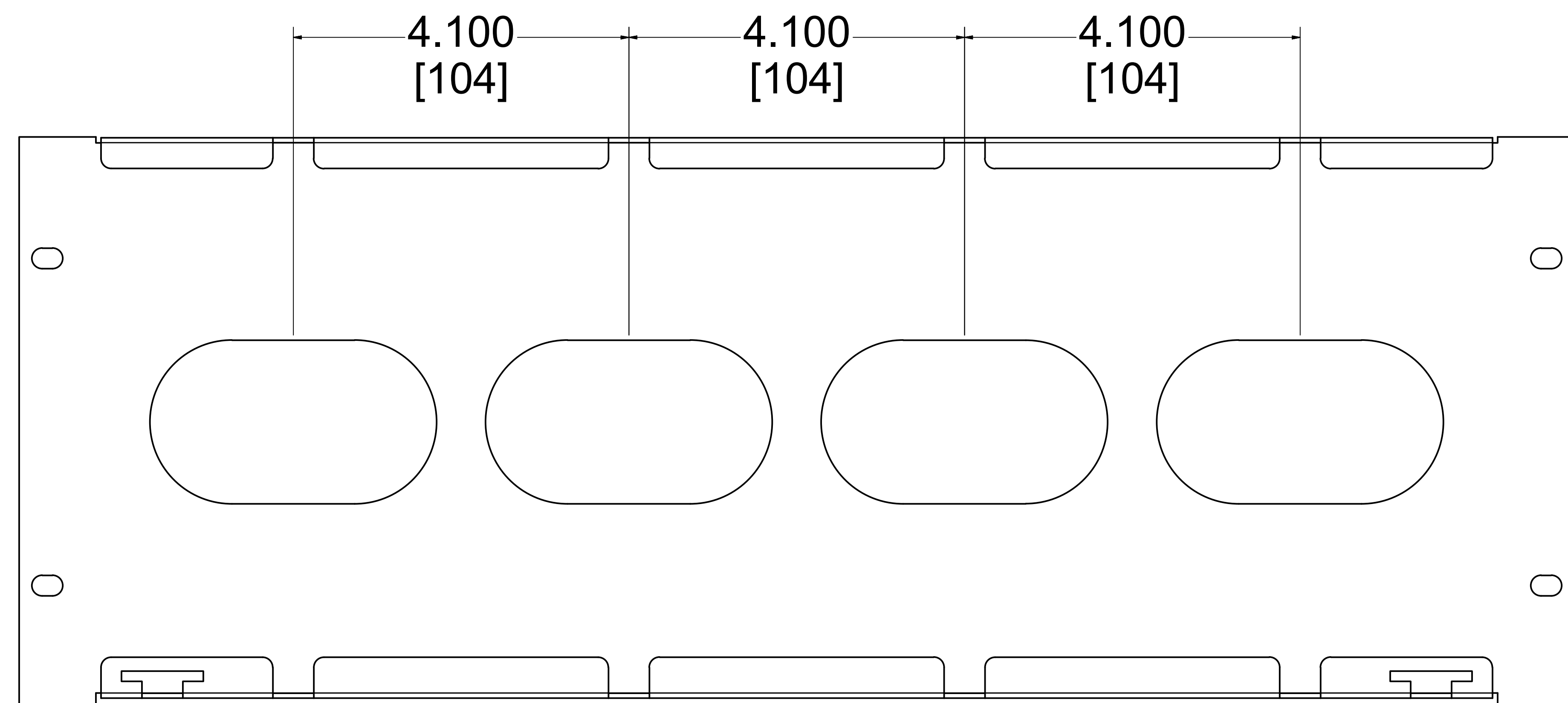


TOP VIEW

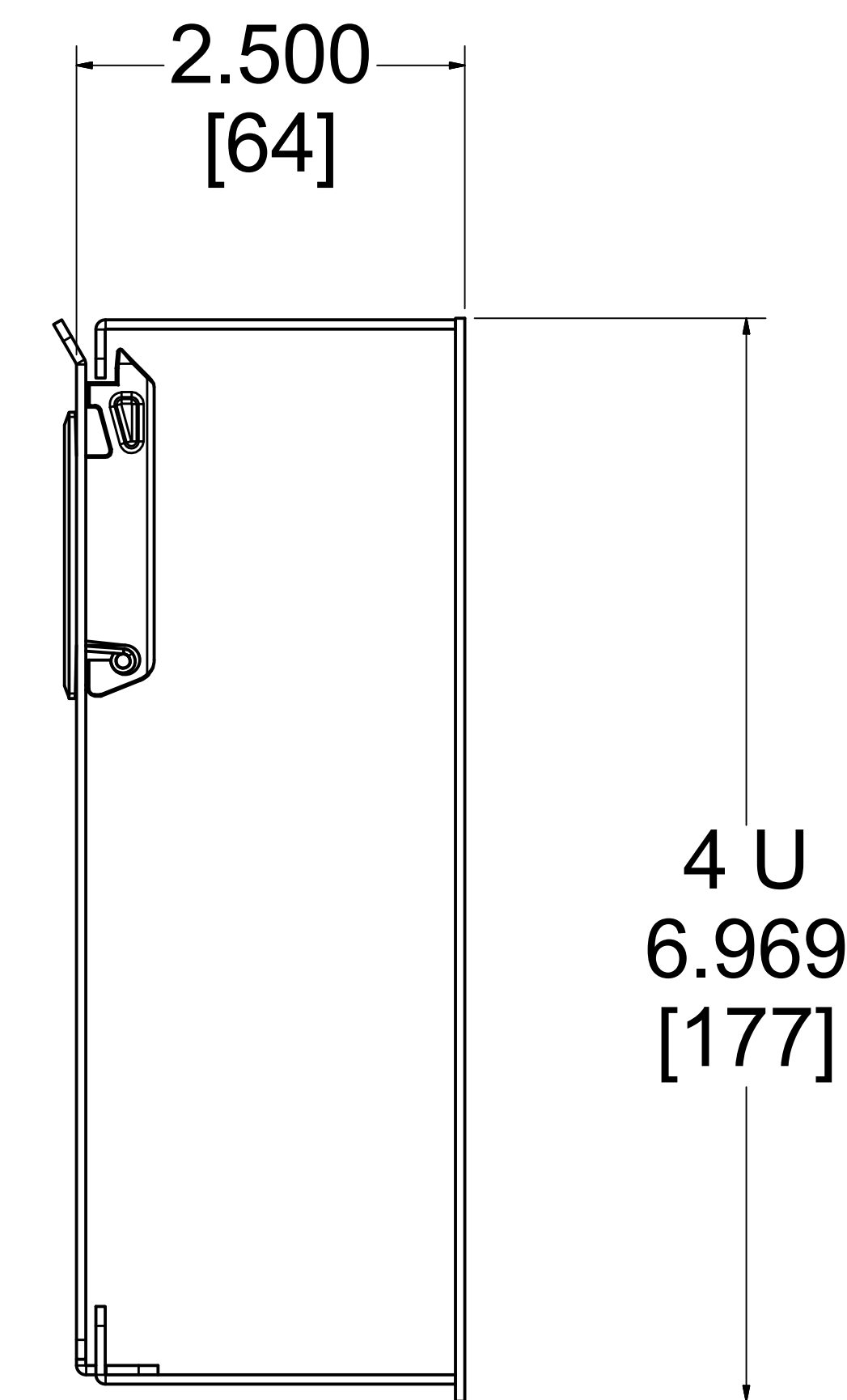
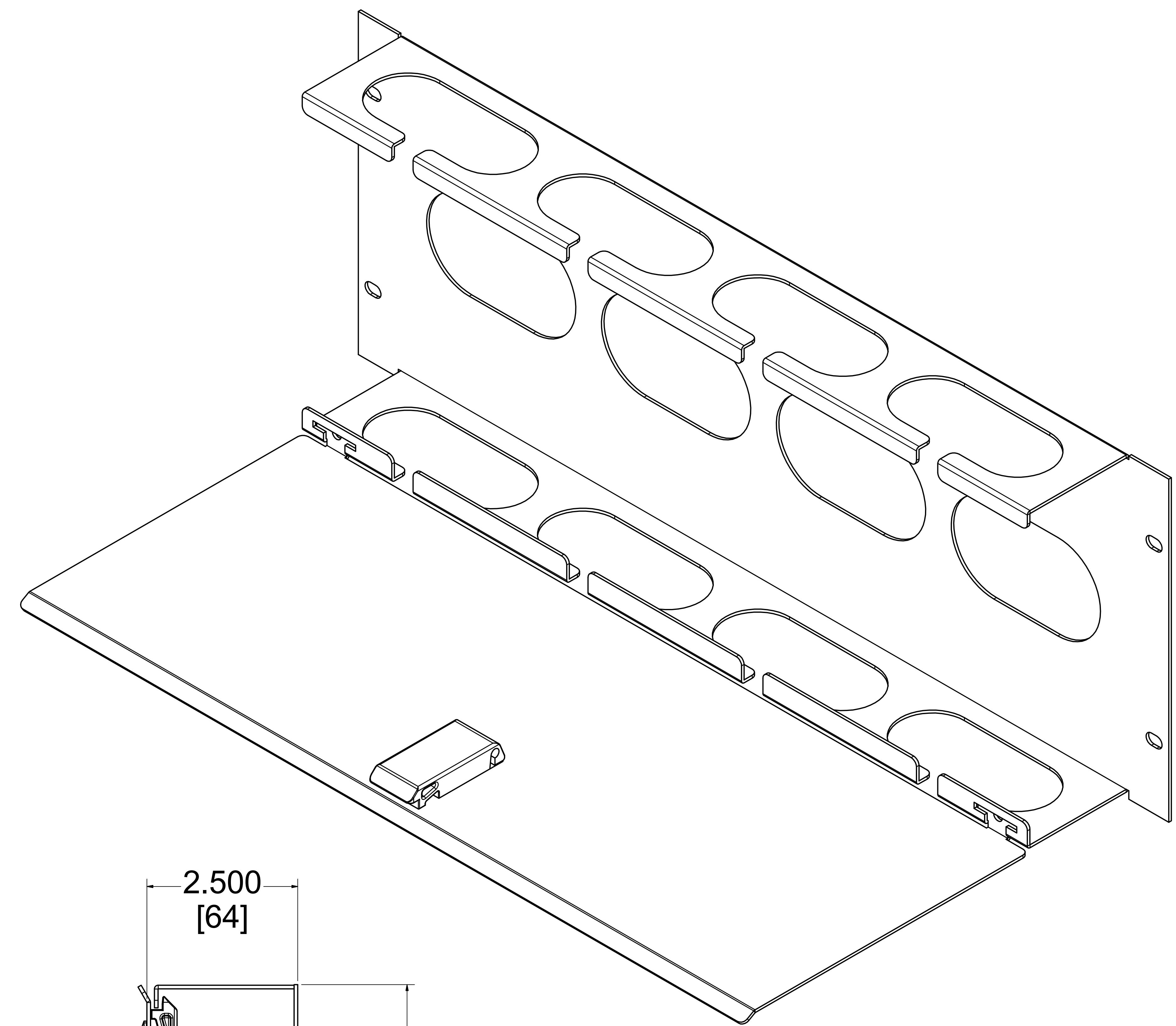
1.50 X 3.50 OB



FRONT VIEW



FRONT VIEW
DOOR REMOVED



SIDE VIEW

NOTE: ISOMETRIC VIEW IS NOT TO SCALE

R.F.MOTE LTD
ENGINEERED SYSTEMS

PART NUMBER

RFM-194D-HCM-TD

DATE	SCALE	SHEET	WEIGHT	REV
3/21/18	1 : 1	1 OF 1	4.586 lbmass	00

The information contained herewithin is proprietary and confidential to **R.F.MOTE LTD**. It may not be reproduced or further disseminated, in whole or in part, without prior written consent from **R.F.MOTE LTD**.
Please visit www.rfmote.com for more information and specs