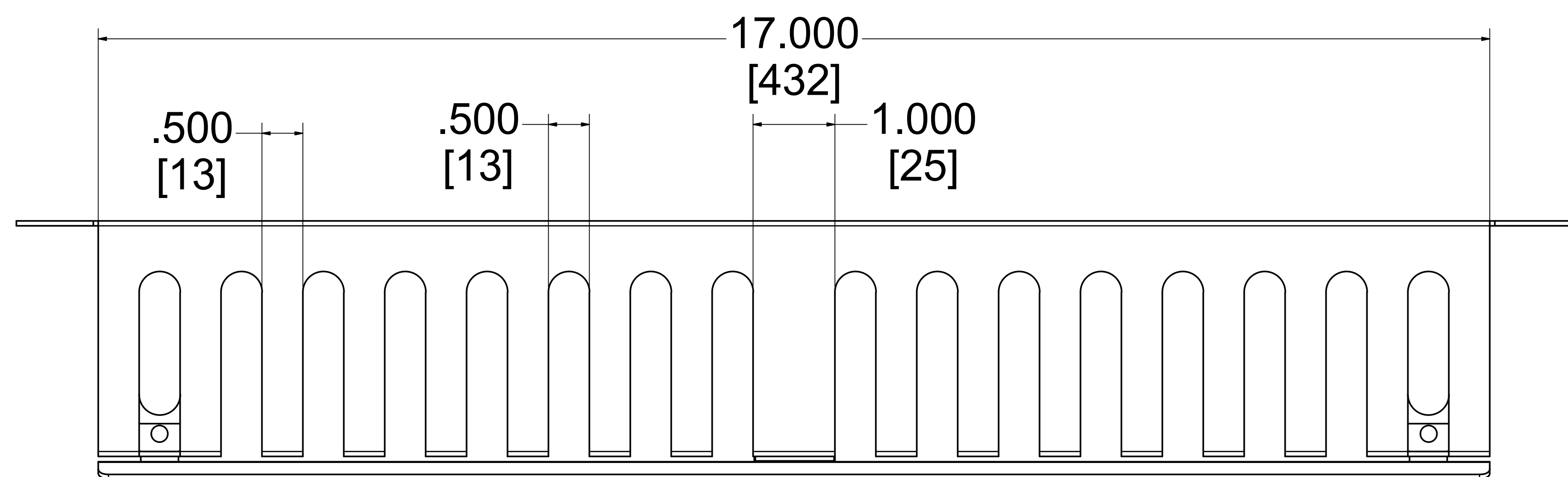
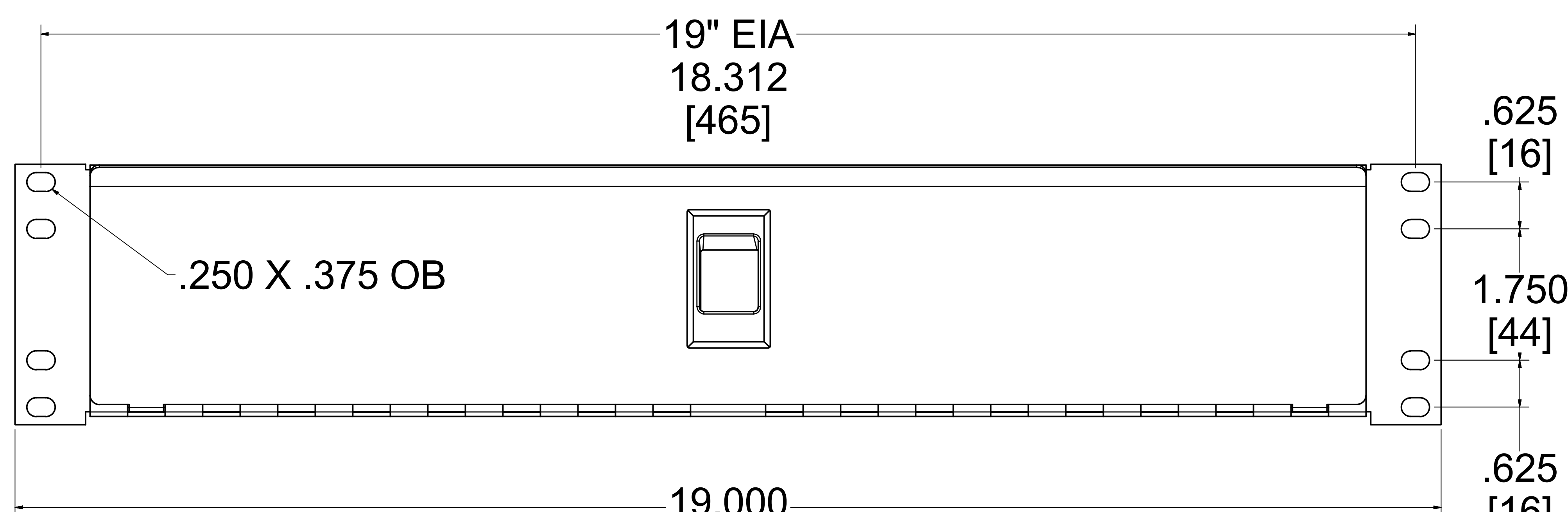
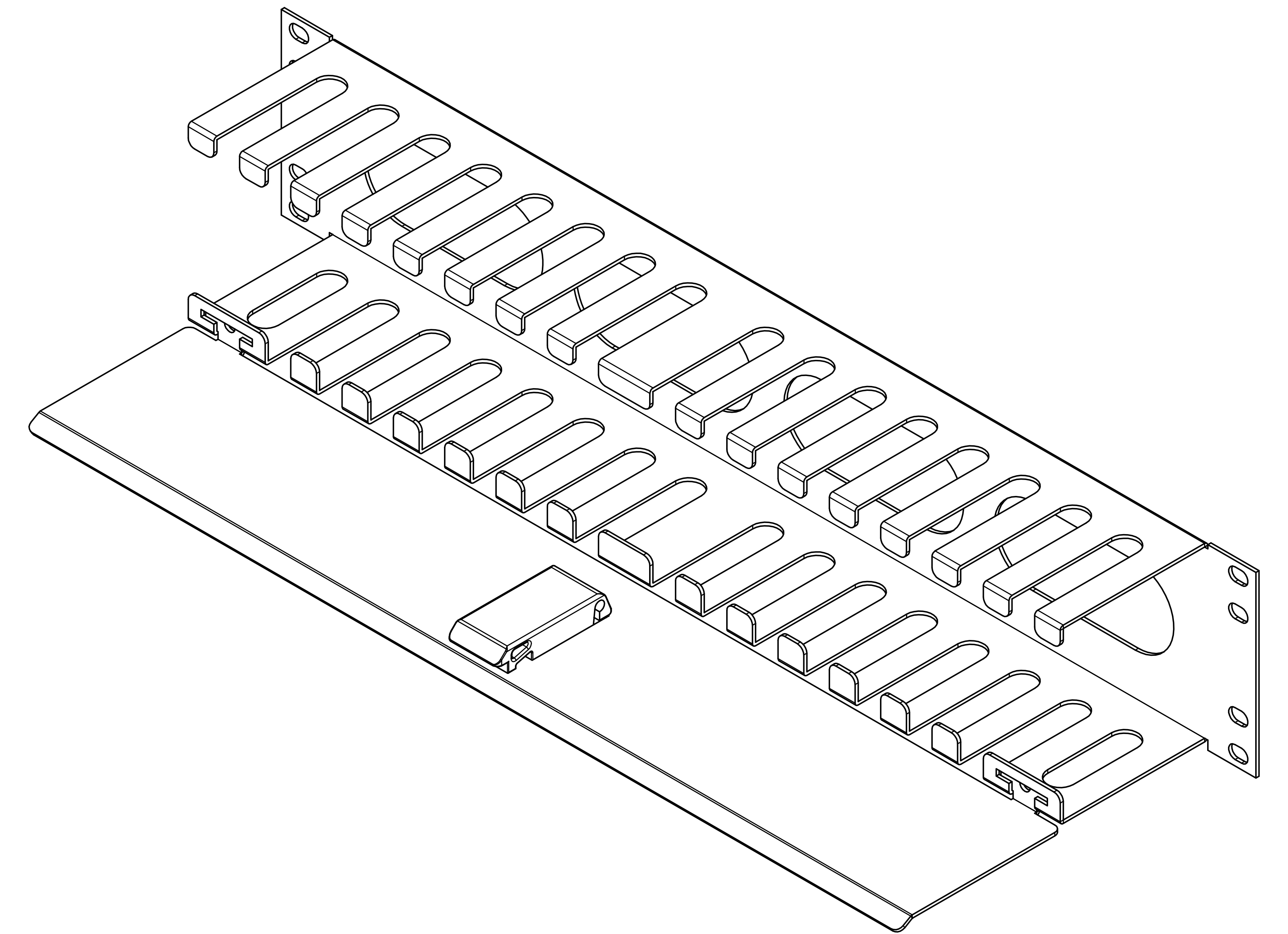


REAR VIEW

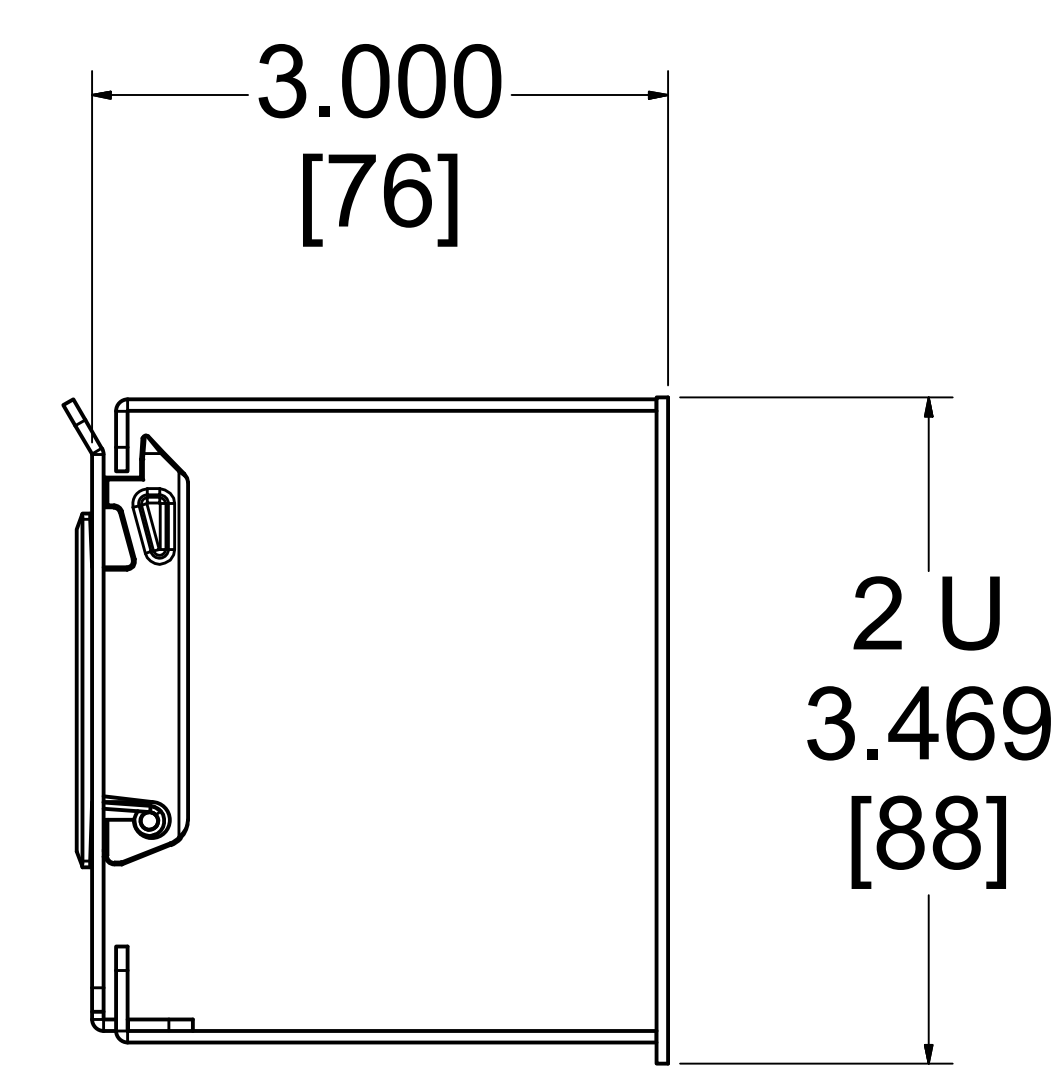
1.500 X 3.500 OB



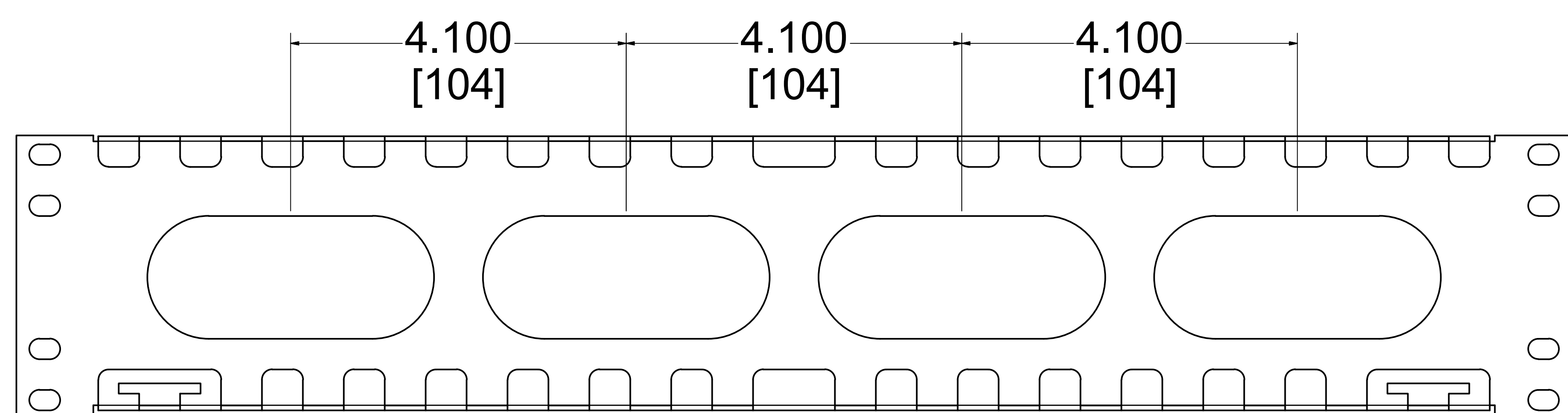
TOP VIEW



FRONT VIEW



SIDE VIEW



FRONT VIEW
DOOR REMOVED

NOTE: ISOMETRIC VIEW IS NOT TO SCALE

R.F.MOTE LTD
ENGINEERED SYSTEMS

PART NUMBER

RFM-192D-HCM-F

The information contained herewithin is proprietary and confidential to **R.F.MOTE LTD**. It may not be reproduced or further disseminated, in whole or in part, without prior written consent from **R.F.MOTE LTD**.

DATE 3/21/18	SCALE 1 : 1	SHEET 1 OF 1	WEIGHT 2.832 lbmass	REV 00
-----------------	----------------	-----------------	------------------------	-----------