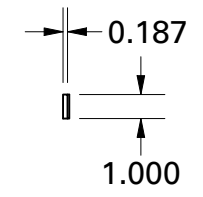
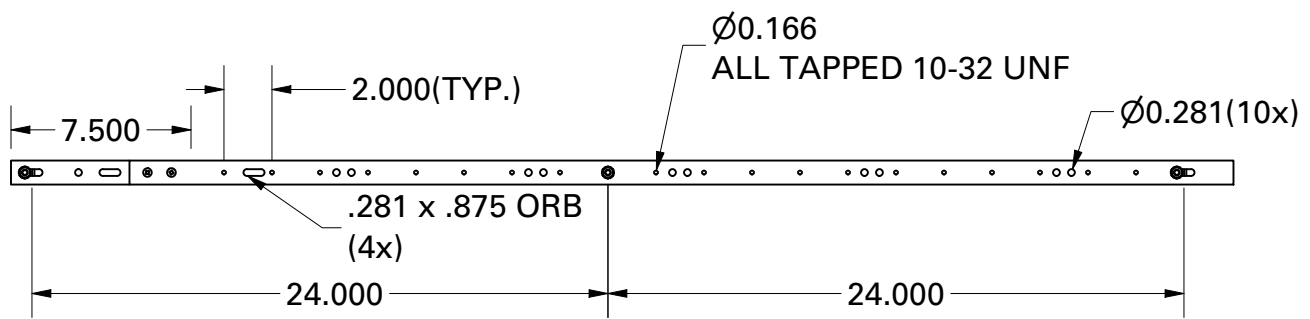
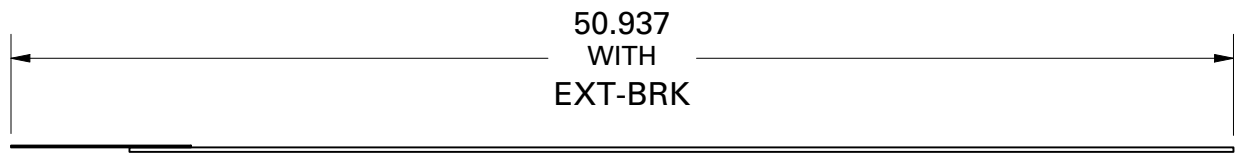
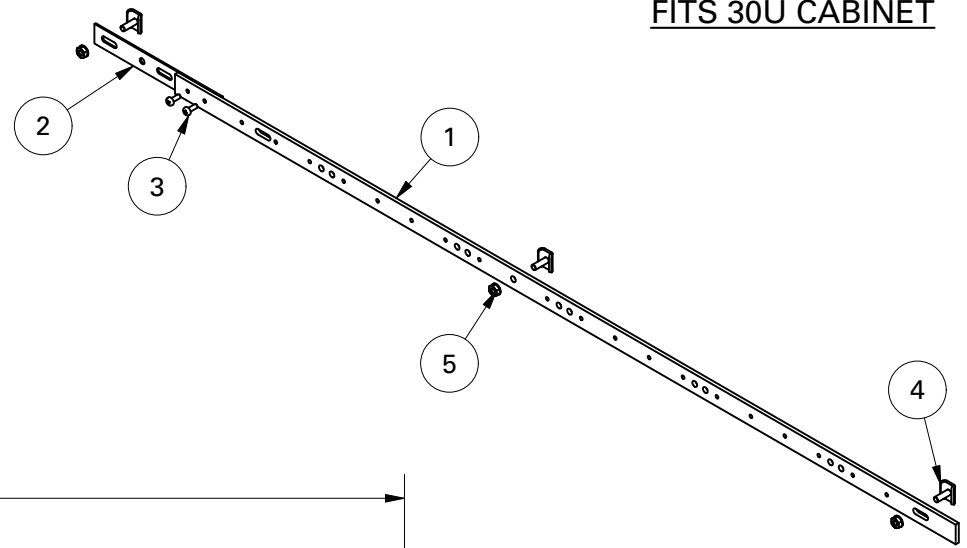


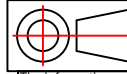
PARTS LIST				
ITEM	QTY	PART NUMBER	REV	CODE
1	1	RFM2-GB-30-BAR	00	
2	1	RFM2-GB-EXT-BRK	01	
3	2	10-32 x 1/2" MACHINE SCREW	00	AL4-004
4	3	RFM2-T-BOLT-.750	00	
5	3	1/4-20 Keps Nut	00	PAU-006

FITS 30U CABINET



R.F. MOTE
A division of Chatsworth Products

214 NEWKIRK RD.
RICHMOND HILL, ONTARIO
L4C 3G7
PHONE (905) 884-5250
FAX (905) 737-5188

TOLERANCES FRAC. ± 1/16" ANGLE ± 1.0° HOLES ± 0.003" 0.000 ± 0.015"	DESCRIPTION VERTICAL GROUNDING BAR FOR 30U CABINETS	PART NUMBER RFM2-GB-30	DATE 06-Feb-24	MASS 2.97 lb	REV 00
 <small>The information contained herewith is proprietary and confidential to R.F.MOTE LTD. It may not be reproduced or further disseminated, in whole or in part, without prior written consent from R.F.MOTE LTD.</small>		AUTHOR gillison_j	SHEET 1 OF 1		

REVISION HISTORY		
REV	DESCRIPTION	DATE
00	FORMERLY KNOWN AS RFM-GB-59	06-Feb-24