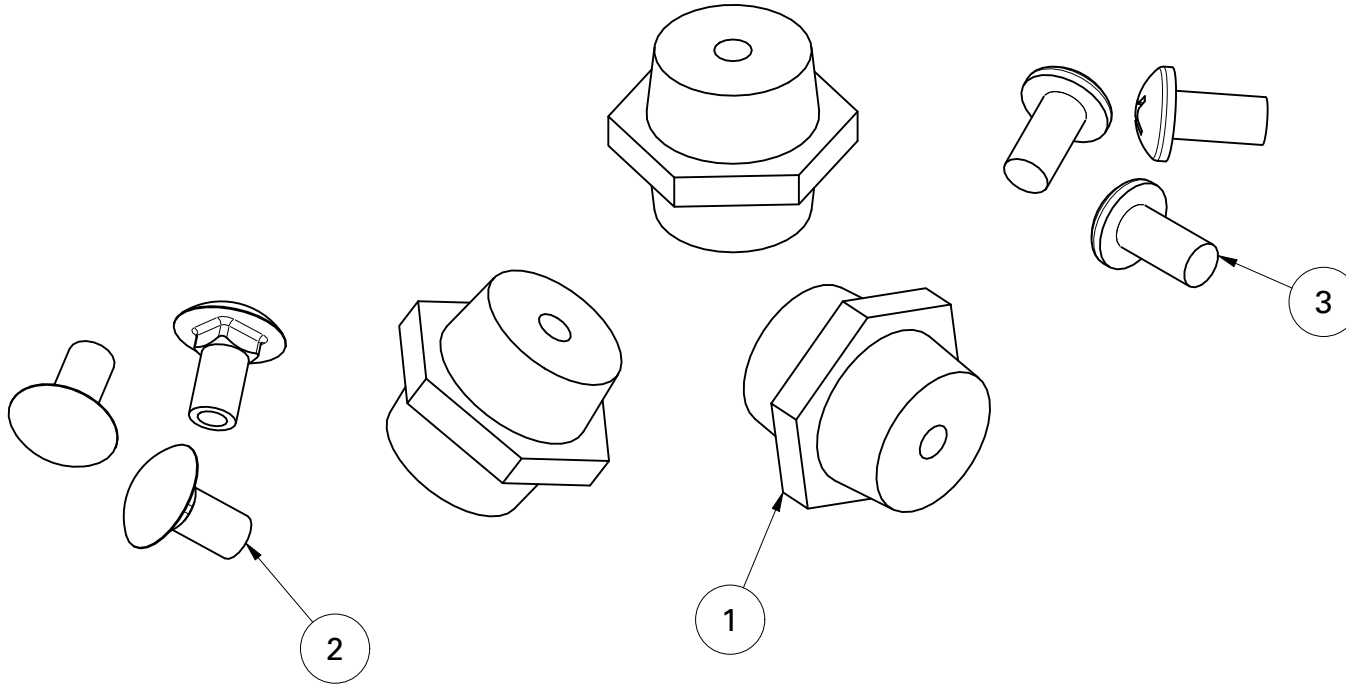


PARTS LIST

| ITEM | QTY | PART NUMBER | REV | CODE |
|------|-----|--------------------------------------|-----|---------|
| 1 | 3 | 559600-INSULATOR | 00 | ICO-002 |
| 2 | 3 | 1/4-20 x 1/2 CARRIAGE BOLT | 00 | AL4-193 |
| 3 | 3 | 1_4-20 UNC x 0.500 PAN HEAD SQSL MS. | 00 | AL4-125 |



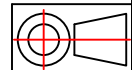
FITS WITH:
RFM-GB-38
RFM-GB-30

R.F. MOTE

A division of Chatsworth Products

214 NEWKIRK RD.
RICHMOND HILL, ONTARIO
L4C 3G7
PHONE (905) 884-5250
FAX (905) 737-5188

| | |
|----------------|--|
| TOLERANCES | DESCRIPTION |
| FRAC. ± 1/16" | PKG OF 3x 1/4" THREADED INSULATORS AND HARDWARE |
| ANGLE ± 1.0° | |
| HOLES ± 0.003" | |
| 0.000 ± 0.015" | |



The information contained herewithin is proprietary and confidential to R.F.MOTE LTD. It may not be reproduced or further disseminated, in whole or in part, without prior written consent from R.F.MOTE LTD.

| | | | |
|--------------------------------|----------------------|-----------------|-----------|
| PART NUMBER RFM-GB-3-ISOKIT | | MASS 0.15 lb | REV 00 |
| DATE 15-Feb-24 | AUTHOR gillison j | SHEET 1 OF 1 | |