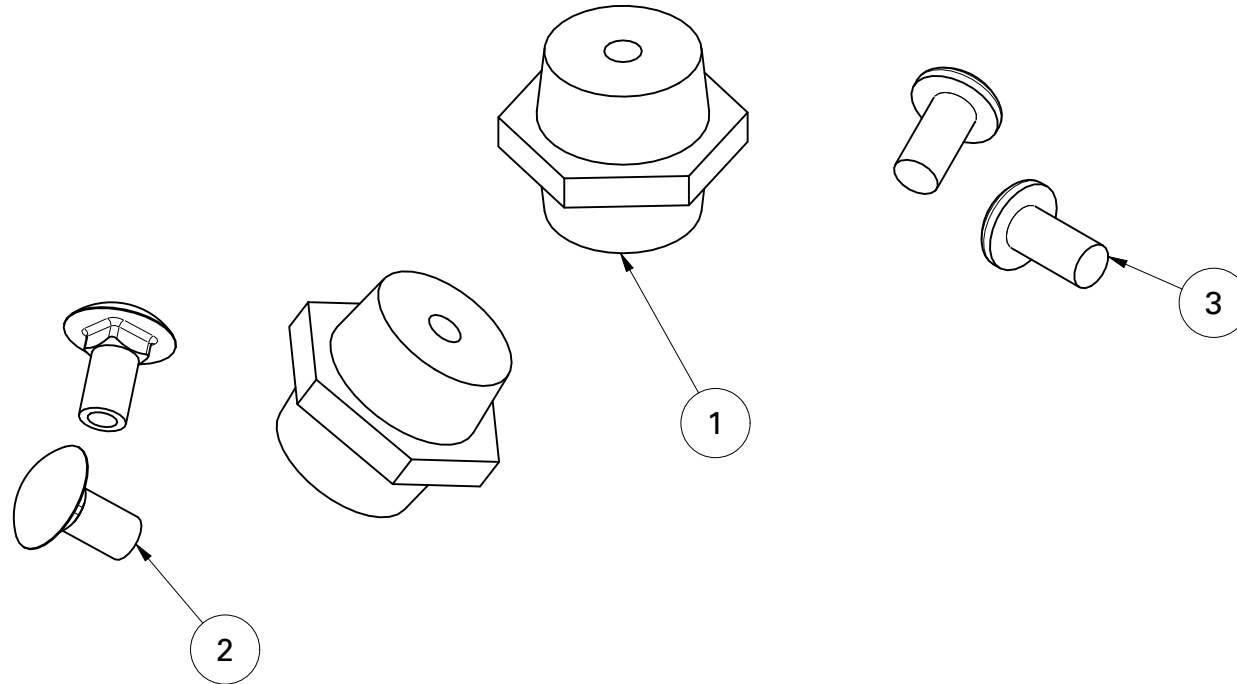


PARTS LIST

ITEM	QTY	PART NUMBER	REV	CODE
1	2	559600-INSULATOR	00	ICO-002
2	2	1/4-20 x 1/2 CARRIAGE BOLT	00	AL4-193
3	2	1_4-20 UNC x 0.500 PAN HEAD SQSL MS.	00	AL4-125



FITS WITH:
RFM-GB-17

R.F. MOTE

A division of Chatsworth Products

214 NEWKIRK RD.
RICHMOND HILL, ONTARIO
L4C 3G7
PHONE (905) 884-5250
FAX (905) 737-5188

TOLERANCES	DESCRIPTION
FRAC. ± 1/16"	PKG OF 2 x 1/4" THREADED INSULATORS AND
ANGLE ± 1.0°	HARDWARE
HOLES ± 0.003"	
0.000 ± 0.015"	

PART NUMBER
RFM-GB-2-ISOKIT

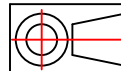
DATE
15-Feb-24

AUTHOR
gillison j

MASS
0.1 lb

REV
00

SHEET 1 OF 1



The information contained herewithin is proprietary and confidential to R.F.MOTE LTD. It may not be reproduced or further disseminated, in whole or in part, without prior written consent from R.F.MOTE LTD.