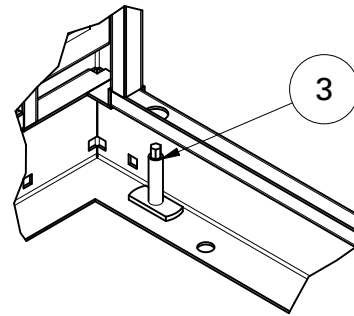
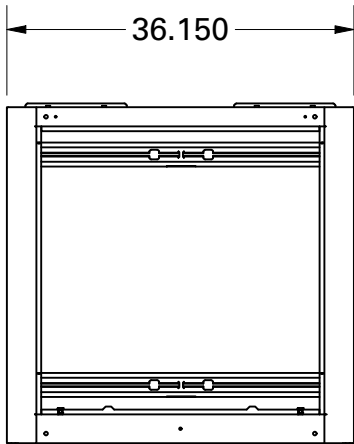
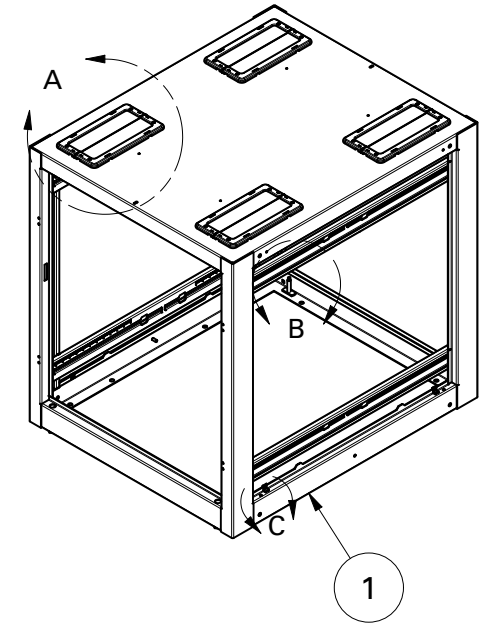
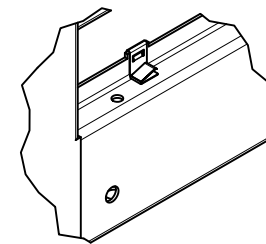
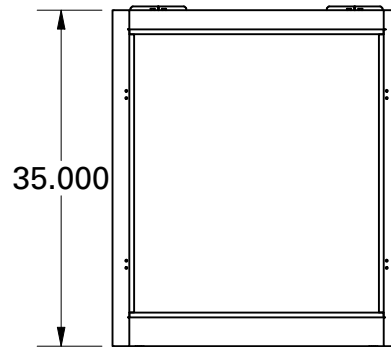


DETAIL A  
INSTALL AFTER PAINT



DETAIL B  
INSTALL AFTER PAINT



DETAIL C  
INSTALL BEFORE PAINT

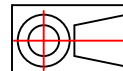
**R.F. MOTE**

A division of Chatsworth Products

214 NEWKIRK RD.  
RICHMOND HILL, ONTARIO  
L4C 3G7  
PHONE (905) 884-5250  
FAX (905) 737-5188

TOLERANCES
FRAC. $\pm 1/16"$
ANGLE $\pm 1.0^\circ$
HOLES $\pm 0.003"$
0.000 $\pm 0.015"$

DESCRIPTION  
**RFM2 CABINET FRAME 30"Wx36"Dx35"H 17U BLACK**



The information contained herewithin is proprietary and confidential to R.F.MOTE LTD. It may not be reproduced or further disseminated, in whole or in part, without prior written consent from R.F.MOTE LTD.

PART NUMBER  
**RFM2-303617-F-B**

DATE  
**2024-01-19**

AUTHOR  
**gillison i**

MASS  
**78.72 lb**

REV  
**00**

**SHEET 1 OF 1**

PARTS LIST

ITEM	QTY	PART NUMBER	REV	CODE
1	1	RFM2-303617-WELD	01	
2	8	024-725190-001	00	
3	4	503-1703800	03	TCH-002-B