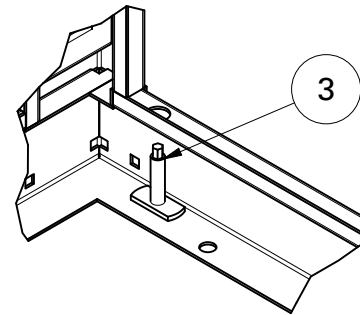
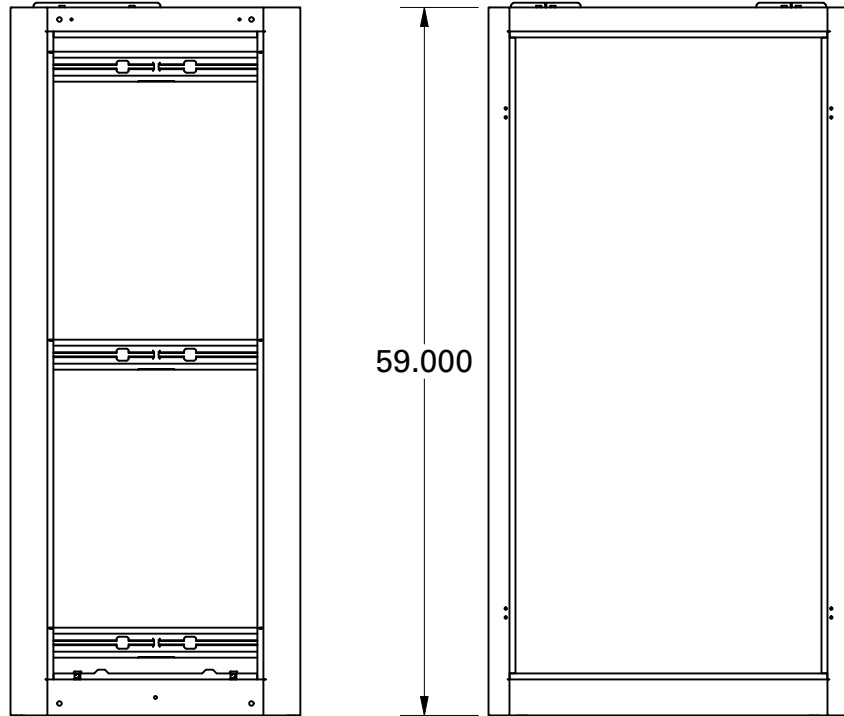
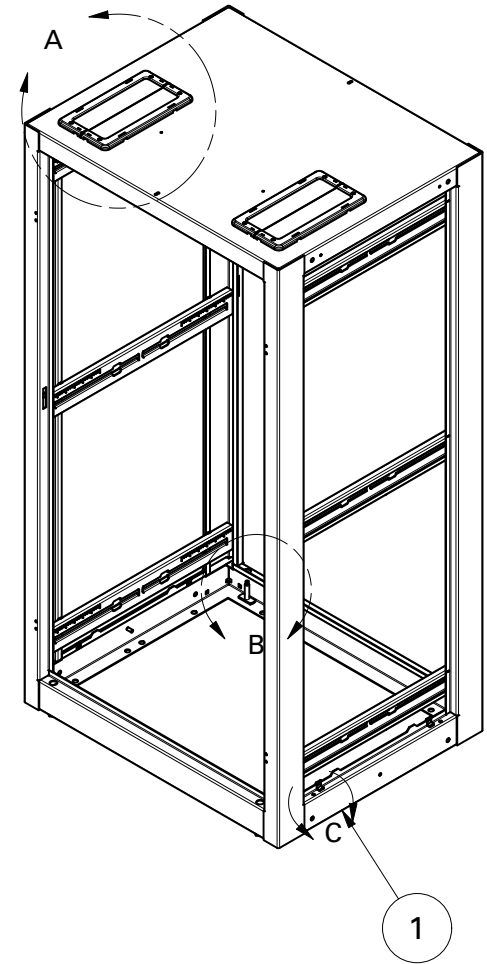
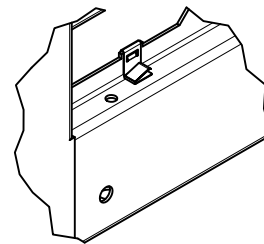


DETAIL A
INSTALL AFTER PAINT



DETAIL B
INSTALL AFTER PAINT



DETAIL C
INSTALL BEFORE PAINT

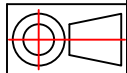
R.F. MOTE

A division of Chatsworth Products

214 NEWKIRK RD.
RICHMOND HILL, ONTARIO
L4C 3G7
PHONE (905) 884-5250
FAX (905) 737-5188

TOLERANCES DESCRIPTION
FRAC. $\pm 1/16"$ RFM2 CABINET FRAME 30"Wx24"Dx59"H 30U BLACK
ANGLE $\pm 1.0^\circ$
HOLES $\pm 0.003"$
0.000 $\pm 0.015"$

PARTS LIST				
ITEM	QTY	PART NUMBER	REV	CODE
1	1	RFM2-302430-WELD	01	
2	4	024-725190-001	00	
3	4	503-1703800	03	TCH-002-B



The information contained herewithin is proprietary and confidential to R.F.MOTE LTD. It may not be reproduced or further disseminated, in whole or in part, without prior written consent from R.F.MOTE LTD.

PART NUMBER
RFM2-302430-F-B

DATE
2024-01-19

AUTHOR
gillison i

MASS
82.43 lb

REV
00

SHEET 1 OF 1