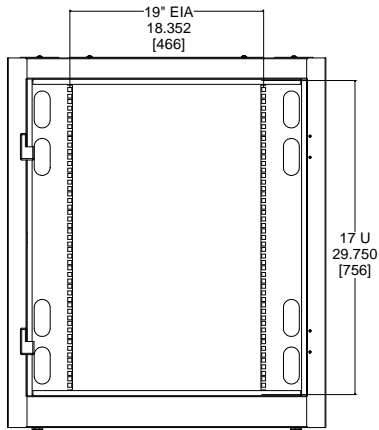
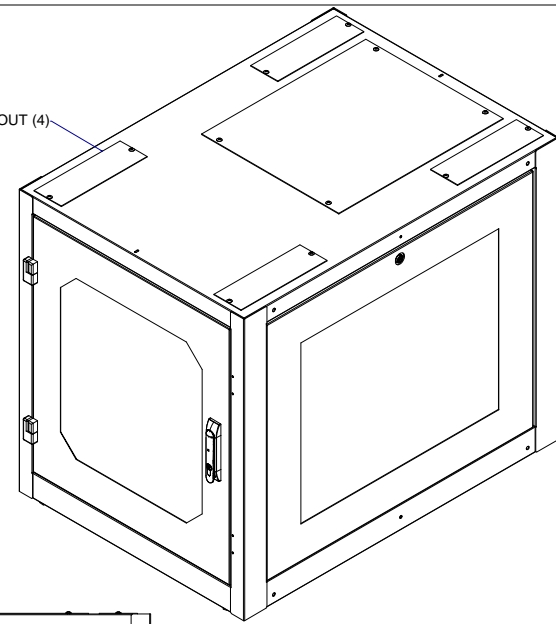
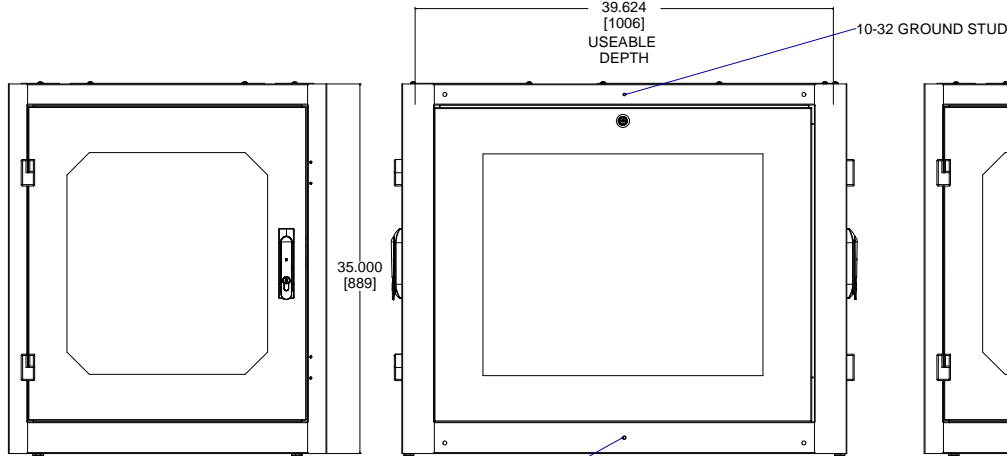


CABLE ACCESS CUTOUT (4)

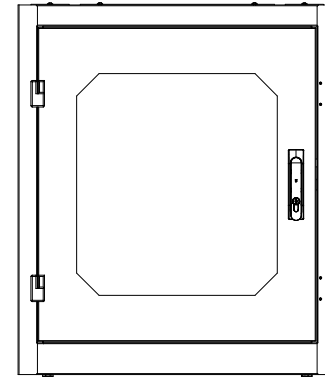


FRONT VIEW
DOORS REMOVED



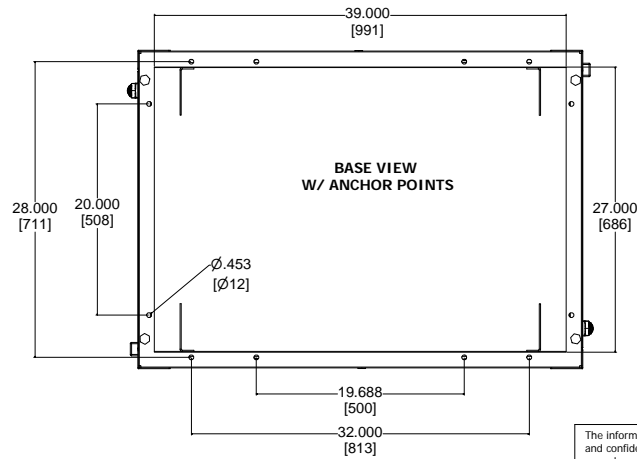
FRONT VIEW

SIDE VIEW



REAR VIEW

1/4-20 GROUND STUD



- ALL US-19-P CABINETS COME WITH:
- FRONT AND REAR PERFORATED DOOR
 - 2 PAIR OF MOUNTING ANGLES
 - 2 PERFORATED SIDE PANELS
 - 4 X CABLE ACCESS COVER PLATES
 - 24 X 1/4-20 CAGE NUTS AND SCREWS

NOTE: ISOMETRIC VIEW IS NOT TO SCALE

R.F.MOTE LTD
ENGINEERED SYSTEMS

PART NUMBER **RFM-304235-US-19-P**

The information contained herein is proprietary and confidential to R.F.MOTE LTD. It may not be reproduced or further disseminated, in whole or in part, without prior written consent from R.F.MOTE LTD.

DATE 2/28/18	SCALE 1 : 1	SHEET 1 OF 1	WEIGHT 172.591 lbmass	REV 00
-----------------	----------------	-----------------	--------------------------	-----------