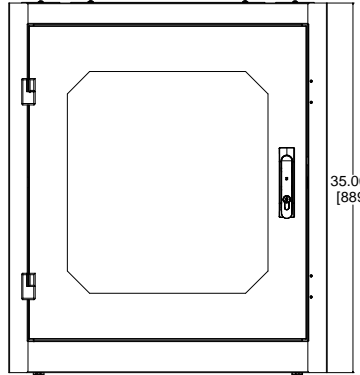
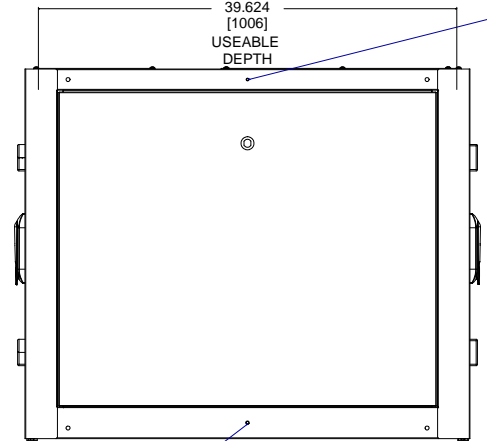


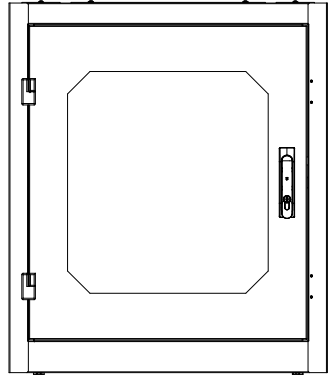
FRONT VIEW
DOORS REMOVED



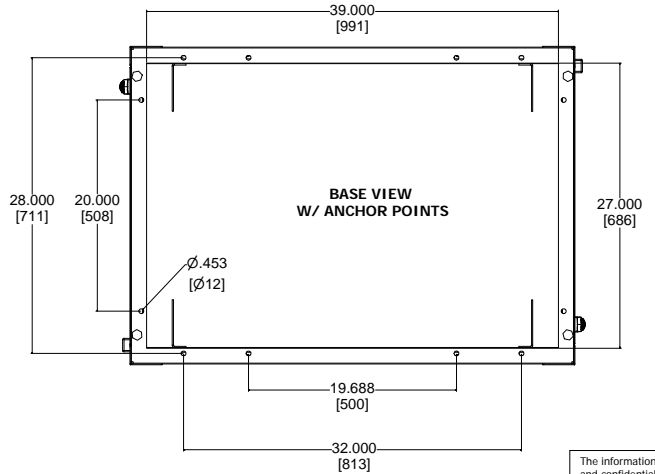
FRONT VIEW



SIDE VIEW



REAR VIEW



BASE VIEW
W/ ANCHOR POINTS

- ALL US-19-B CABINETS COME WITH:
- FRONT AND REAR PERFORATED DOOR
 - 2 PAIR OF MOUNTING ANGLES
 - 2 SOLID SIDE PANELS
 - 4 X CABLE ACCESS COVER PLATES
 - 24 X 1/4-20 CAGE NUTS AND SCREWS

NOTE: ISOMETRIC VIEW IS NOT TO SCALE

R.F.MOTE LTD ENGINEERED SYSTEMS				
PART NUMBER		RFM-304235-US-19-B		

The information contained herein is proprietary and confidential to R.F.MOTE LTD. It may not be reproduced or further disseminated, in whole or in part, without prior written consent from R.F.MOTE LTD.	DATE	SCALE	SHEET	WEIGHT	REV
	2/28/18	1 : 1	1 OF 1	173.629 lbmass	00