

RACK MOUNT SECURITY DOOR



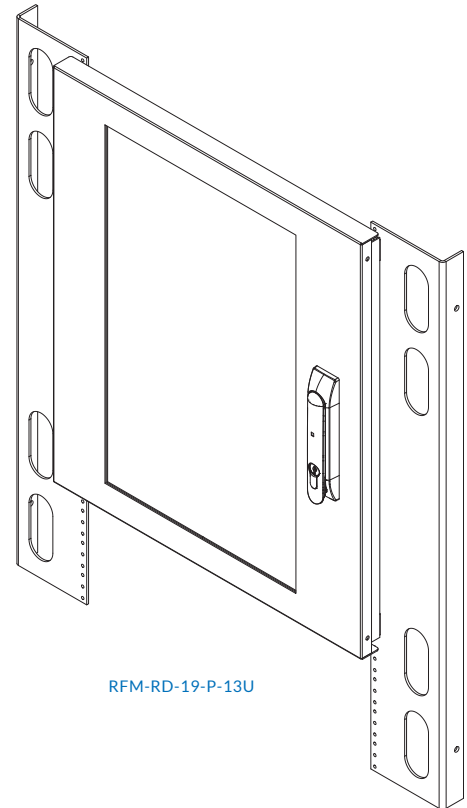
Features:

- Heavy gauge steel
- Designed for use with all R.F.Mote 19" EIA Racks *and* Cabinets
- 23" EIA available on request
- Economical solution to secure space or devices within Rack or Cabinet
- Zero-U Mounting Brackets install over existing equipment
- Comes equipped with standard swing handle lock
- Swing handle options include:
 - Combination Lock
 - Padlock Handle
 - Electronic Locks

Highlights:

- Available Perforated or with Smoked Acrylic inserts

Part number	Description	# of U's
RFM-RD-19-1-6U	Smoked Acrylic	6U
RFM-RD-19-1-10U	Smoked Acrylic	10U
RFM-RD-19-1-13U	Smoked Acrylic	13U
RFM-RD-19-P-6U	Perforated	6U
RFM-RD-19-P-10U	Perforated	10U
RFM-RD-19-P-13U	Perforated	13U



RFM-RD-19-P-13U

