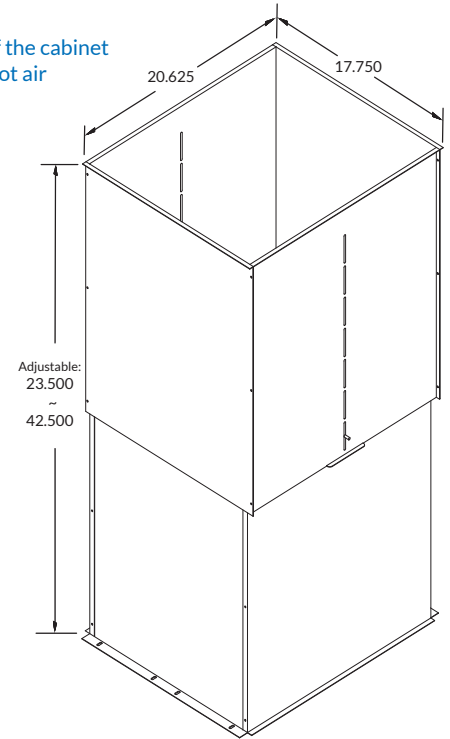


## EXHAUST DUCT: ADJUSTABLE HEIGHT



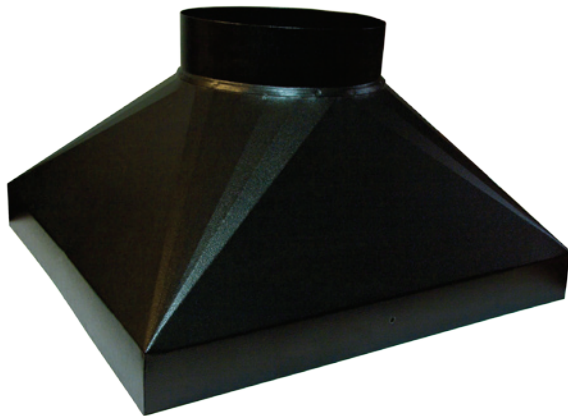
**Features:**

- Prevents exhaust air from circulating over the top of the cabinet
- Prevents warm and cold air mixing by isolating the hot air from the cabinet to the return air plenum
- Mounts on top of cabinet
- Adjustable height
- May be deployed with or without any R.F.Mote cooling fan option
- Durable black textured powder coated finish



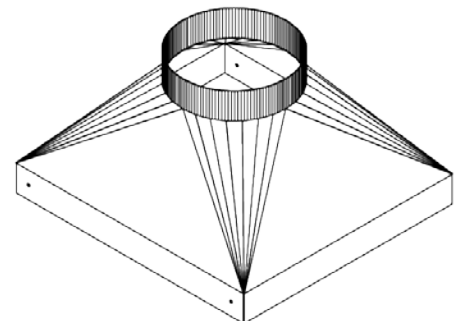
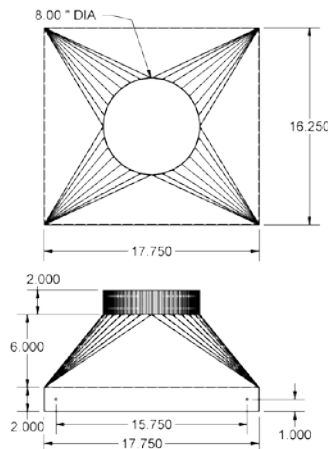
FITS WITH OUR...	PART NUMBER
<ul style="list-style-type: none"> <li>• RFM SERIES 30 CABINETS</li> <li>• RFM SERIES 24 CABINETS</li> </ul>	RFM-EXFAN-DUCT RFM-EXFAN-DUCT-24

## EXHAUST DUCT: SQUARE TO ROUND TRANSITION



**Features:**

- Prevents exhaust air from circulating over the top of the cabinet
- Prevents warm and cold air mixing by isolating the hot air from the cabinet to the return air plenum
- Mounts on top of cabinet
- Square to round transition design
- May be deployed with or without any R.F.Mote cooling fan option
- Use with 8" diameter spiral or flex duct
- Durable black textured powder coated finish



FITS WITH OUR...	PART NUMBER
<ul style="list-style-type: none"> <li>• RFM SERIES 30 CABINETS</li> <li>• RFM SERIES 24 CABINETS</li> </ul>	RFM-EXFAN-DUCT-8 RFM-EXFAN-DUCT-8-24