

RFM SERIES KITTED SERVER CABINET

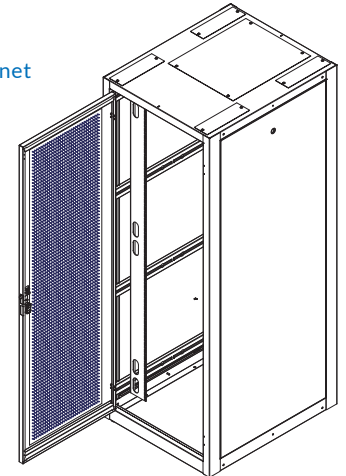


R. F. Mote Series Server Kitted Cabinets available 30" and 24" Wide. Standard kitted Server cabinets include: 2 Perforated doors, 2 side panels, 2 pair cage-nut style mounting rails, levelling feet, removable top cover panel, and hardware package.

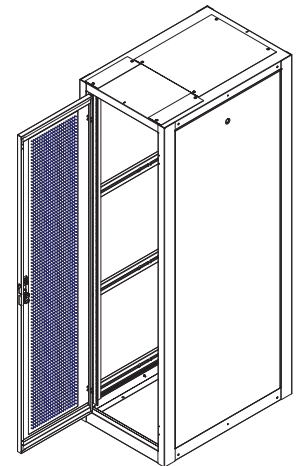
Each cabinet may be configured with a wide variety of options such as: Power bars, ground bars, fan assemblies, chimney ducts, air stops, brush kits, cable troughs, vertical and horizontal cable managers, shelves, electronic door locks, and perforated side panels. Optional accessories can be factory installed in configurations best suited to their end use, or ordered separately and installed by the customer.

Features:

- Heavy gauge steel, all welded construction
- UL 2416 Listed
- UL Rated for up to 3000 lbs Static Load
- Standard Heights: 35" / 59" / 72" / 83" / 90"
- Standard Depths: 30" / 36" / 42" / 48"
- Standard Widths: 24" / 30"
- Standard 19" EIA universal spacing (23" & 24" EIA universal spacing also available for 30" wide cabinets)
- Doors are perforated, lockable, and removable
- Doors: Electronic and Combination lock options avail
- Solid side panels (also available perforated)
- 2 Pair Mounting angles (punched to 19" EIA standard spacing for cage nuts)
- Provisions for cable access provided in top of cabinet
- Removable top cover panel
- Open base for cable access
- 4 Grounding points
 - 2 in top (#10-32 x 1/2" stud)
 - 2 in base (1/4-20 x 3/4" stud)
- Adjustable levelling feet
- Hardware package (qty 24, 1/4-20 cage nuts and screws)
- Easy ganging capabilities
- Standard colour is textured black powdercoat
- Custom colours (e.g. RAL 7035) also available



30" wide cabinet – 19" EIA Mount



24" wide cabinet – 19" EIA Mount

Note: Ganging version is avail. Shipped less the side panels and c/w ganging kit - add suffix '-G' to part number. e.g. RFM-303683-US-19-G

30" Wide Cabinet – 19" EIA Mount

Part number	Width	Depth	Height	#of U's
RFM-304890-US-19	30.150	48.150	90.00	48U
RFM-304883-US-19	30.150	48.150	83.00	44U
RFM-304290-US-19	30.150	42.150	90.00	48U
RFM-304283-US-19	30.150	42.150	83.00	44U
RFM-304272-US-19	30.150	42.150	72.00	38U
RFM-304259-US-19	30.150	42.150	59.00	30U
RFM-304235-US-19	30.150	42.150	35.00	17U
RFM-303690-US-19	30.150	36.150	90.00	48U
RFM-303683-US-19	30.150	36.150	83.00	44U
RFM-303672-US-19	30.150	36.150	72.00	38U
RFM-303659-US-19	30.150	36.150	59.00	30U
RFM-303635-US-19	30.150	36.150	35.00	17U
RFM-303090-US-19	30.150	30.150	90.00	48U
RFM-303083-US-19	30.150	30.150	83.00	44U
RFM-303072-US-19	30.150	30.150	72.00	38U
RFM-303059-US-19	30.150	30.150	59.00	30U
RFM-303035-US-19	30.150	30.150	35.00	17U
RFM-302483-US-19	30.150	24.150	83.00	44U
RFM-302472-US-19	30.150	24.150	72.00	38U
RFM-302459-US-19	30.150	24.150	59.00	30U
RFM-302435-US-19	30.150	24.150	35.00	17U

Note¹: 23" and 24" EIA mount also available for 30" wide cabinet

24" Wide Cabinet – 19" EIA Mount

Part number	Width	Depth	Height	#of U's
RFM-244890-US-19	24.00	48.150	90.00	48U
RFM-244883-US-19	24.00	48.150	83.00	44U
RFM-244290-US-19	24.00	42.150	90.00	48U
RFM-244283-US-19	24.00	42.150	83.00	44U
RFM-244272-US-19	24.00	42.150	72.00	38U
RFM-244259-US-19	24.00	42.150	59.00	30U
RFM-244235-US-19	24.00	42.150	35.00	17U
RFM-243690-US-19	24.00	36.150	90.00	48U
RFM-243683-US-19	24.00	36.150	83.00	44U
RFM-243672-US-19	24.00	36.150	72.00	38U
RFM-243659-US-19	24.00	36.150	59.00	30U
RFM-243635-US-19	24.00	36.150	35.00	17U
RFM-243090-US-19	24.00	30.150	90.00	48U
RFM-243083-US-19	24.00	30.150	83.00	44U
RFM-243072-US-19	24.00	30.150	72.00	38U
RFM-243059-US-19	24.00	30.150	59.00	30U
RFM-243035-US-19	24.00	30.150	35.00	17U
RFM-242483-US-19	24.00	24.150	83.00	44U
RFM-242472-US-19	24.00	24.150	72.00	38U
RFM-242459-US-19	24.00	24.150	59.00	30U
RFM-242435-US-19	24.00	24.150	35.00	17U