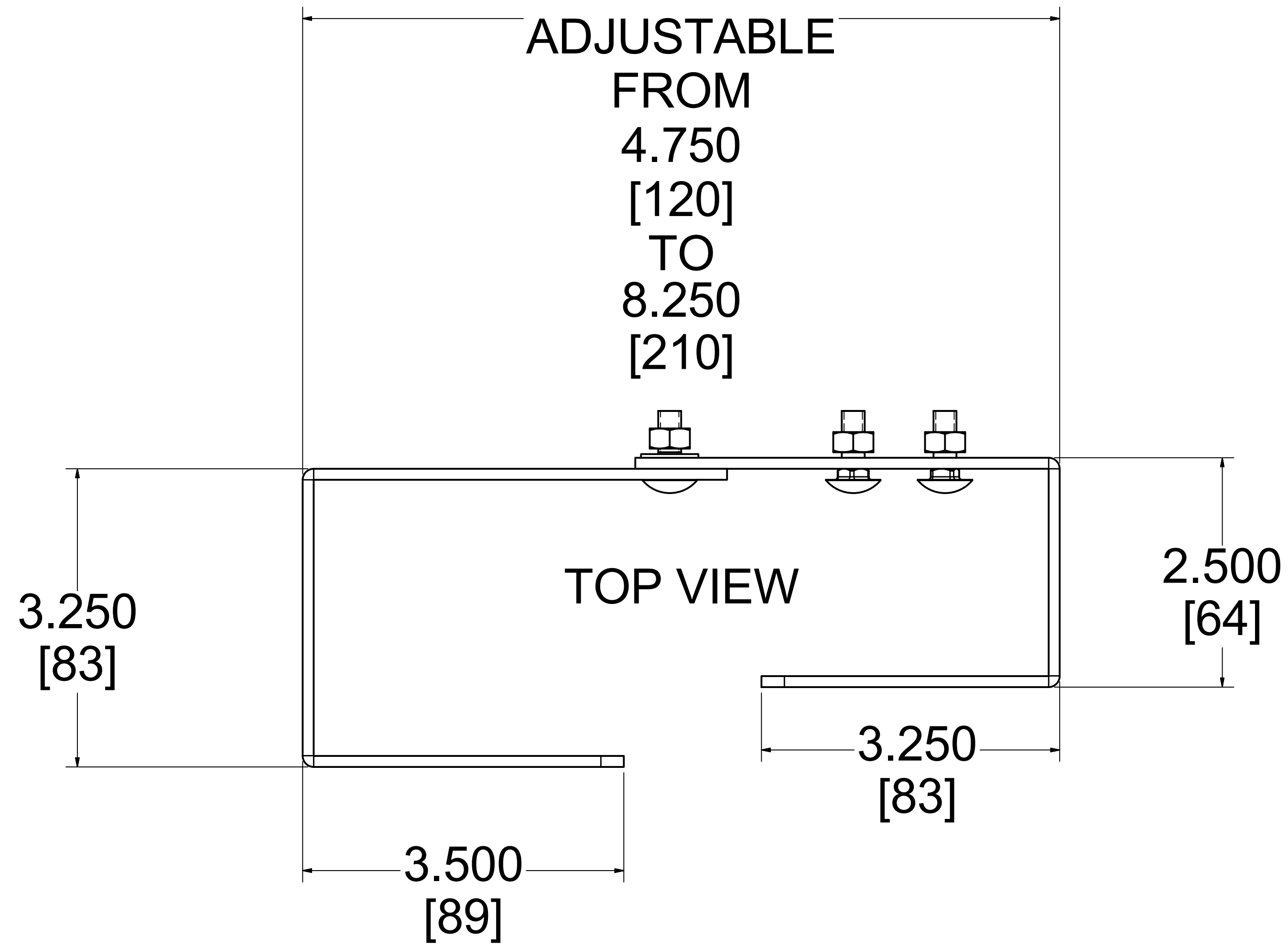
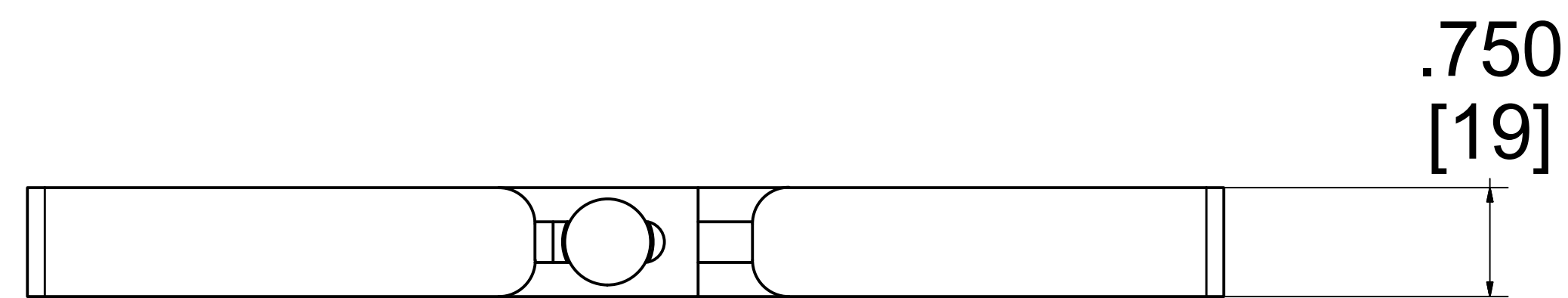


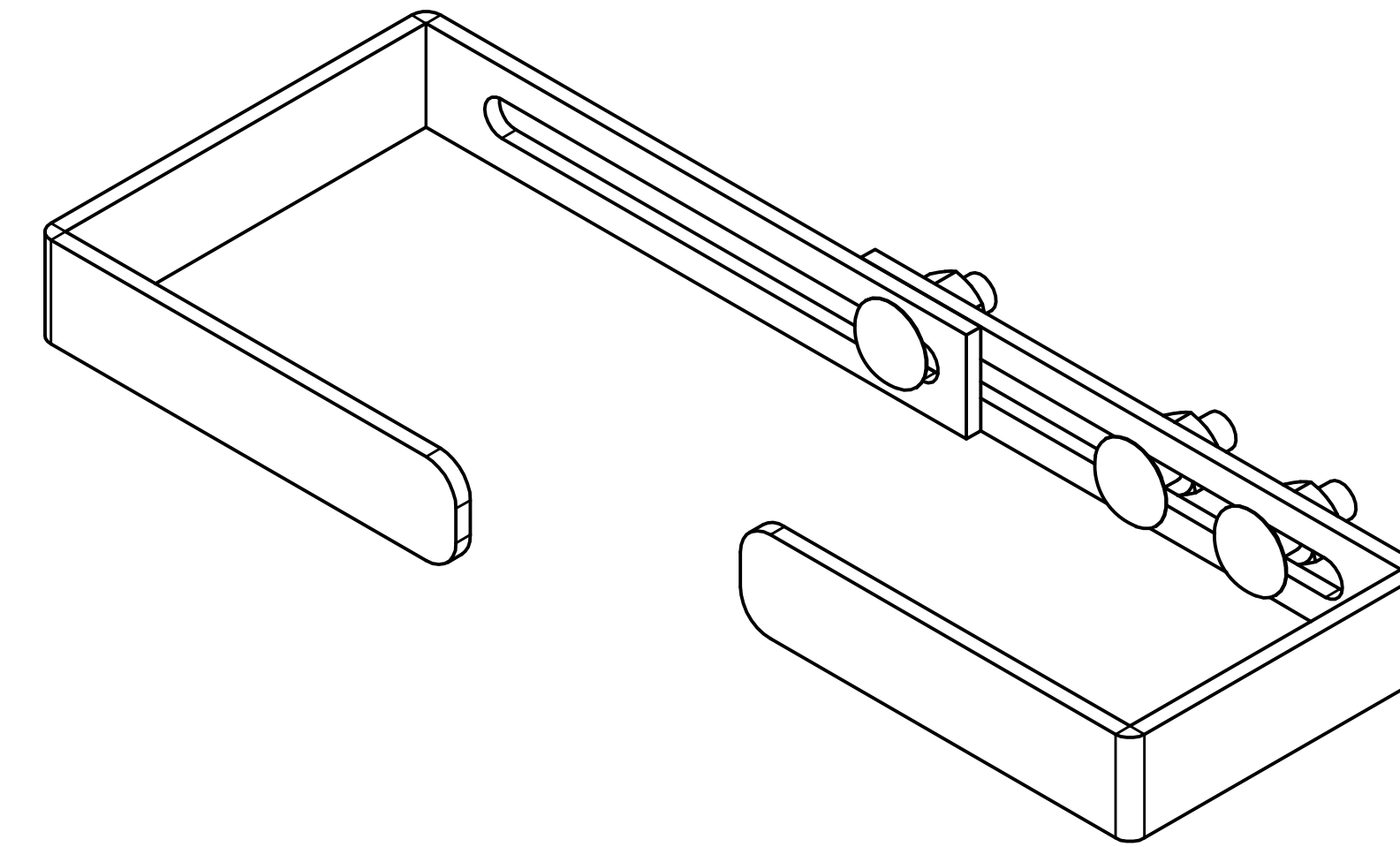
REAR VIEW



TOP VIEW



FRONT VIEW



SIDE VIEW

NOTE: ISOMETRIC VIEW IS NOT TO SCALE

**R.F.MOTE LTD**  
ENGINEERED SYSTEMS

PART NUMBER

**RFM-DR-ADJ**

The information contained herewithin is proprietary and confidential to **R.F.MOTE LTD**. It may not be reproduced or further disseminated, in whole or in part, without prior written consent from **R.F.MOTE LTD**.

|  |                |                 |                        |           |
|--|----------------|-----------------|------------------------|-----------|
| DATE<br>3/21/18  | SCALE<br>1 : 1 | SHEET<br>1 OF 1 | WEIGHT<br>0.557 lbmass | REV<br>01 |
| Please visit <a href="http://www.rfmote.com">www.rfmote.com</a> for more information and specs |                |                 |                        |           |