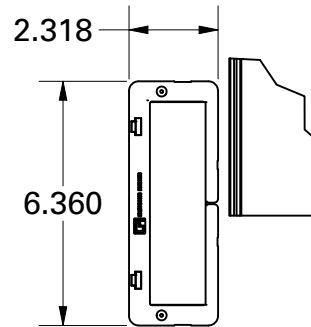
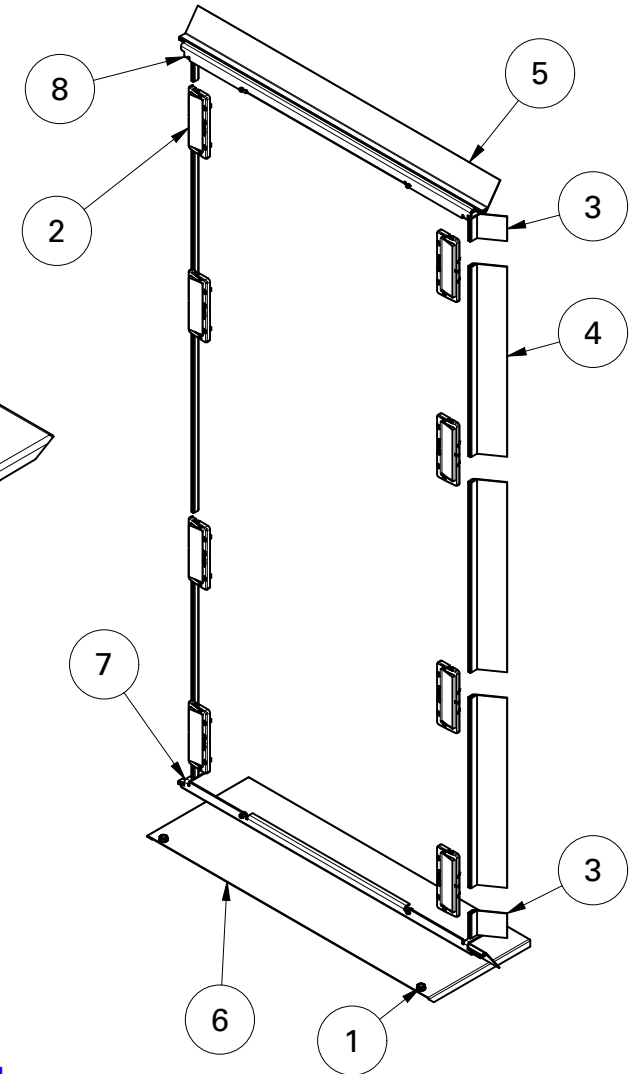


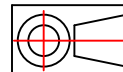
INSTALLED ON RAIL



8X
EQUIPMENT MTG RAIL
BRUSH COVER



PARTS LIST				
ITEM	QTY	PART NUMBER	REV	CODE
1	2	3/8-16 UNC KEPS NUT	00	AL
2	8	024-739716-001-R1	00	
3	4	RFM2-ADK-2.5	00	
4	6	RFM2-ADK-19.375	00	
5	2	RFM2-ADK-35.625	00	
6	1	RFM2-ADK-36-BASE-PAN	00	
7	1	RFM2-ADK-36-BC	01	
8	1	RFM2-ADK-36-T	01	



The information contained herewith is proprietary and confidential to R.F.MOTE LTD. It may not be reproduced or further disseminated, in whole or in part, without prior written consent from R.F.MOTE LTD.

TOLERANCES FRAC. ± 1/16" ANGLE ± 1.0° HOLES ± 0.003" 0.000 ± 0.015"	DESCRIPTION 36" AIR DAM KIT 42U BLACK c/w 8 BRUSHES		214 NEWKIRK RD. RICHMOND HILL, ONTARIO L4C 3G7 PHONE (905) 884-5250 FAX (905) 737-5188	
	PART NUMBER RFM2-ADK-3642-B		R.F. MOTE A division of Chatsworth Products	
DATE 2024-08-07	MASS 13.72 lb	REV 01	SHEET 1 OF 1	
AUTHOR Fred L.				