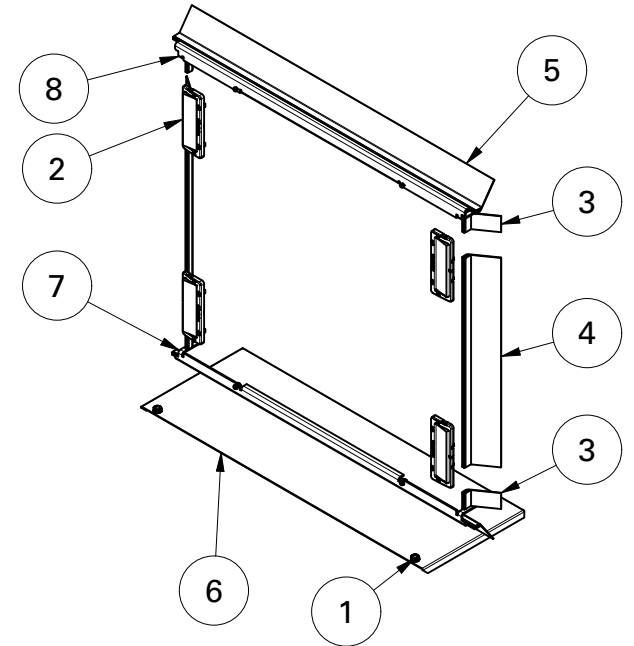
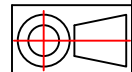


4X
EQUIPMENT MTG RAIL
BRUSH COVER



PARTS LIST				
ITEM	QTY	PART NUMBER	REV	CODE
1	2	3/8-16 UNC KEPS NUT	00	AL
2	4	024-739716-001-R1	00	
3	4	RFM2-ADK-1.625	00	
4	2	RFM2-ADK-21.375	00	
5	2	RFM2-ADK-35.625	00	
6	1	RFM2-ADK-36-BASE-PAN	00	
7	1	RFM2-ADK-36-BC	01	
8	1	RFM2-ADK-36-T	01	



The information contained herewith is proprietary and confidential to R.F.MOTE LTD. It may not be reproduced or further disseminated, in whole or in part, without prior written consent from R.F.MOTE LTD.

TOLERANCES	DESCRIPTION		
FRAC. ± 1/16"	36" AIR DAM KIT 17U BLACK c/w 4 BRUSHES BLACK		
ANGLE ± 1.0°			
HOLES ± 0.003"			
0.000 ± 0.015"	PART NUMBER		
	RFM2-ADK-3617-B		
	DATE	MASS	REV
	2024-08-16	13.18 lb	01
	AUTHOR		
	Fred L.	SHEET 1 OF 1	

R.F. MOTE
A division of Chatsworth Products

214 NEWKIRK RD.
RICHMOND HILL, ONTARIO
L4C 3G7
PHONE (905) 884-5250
FAX (905) 737-5188