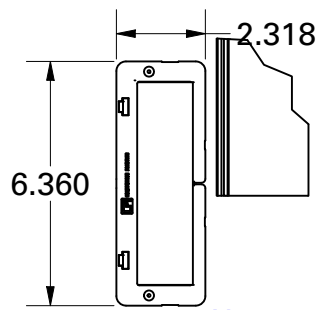
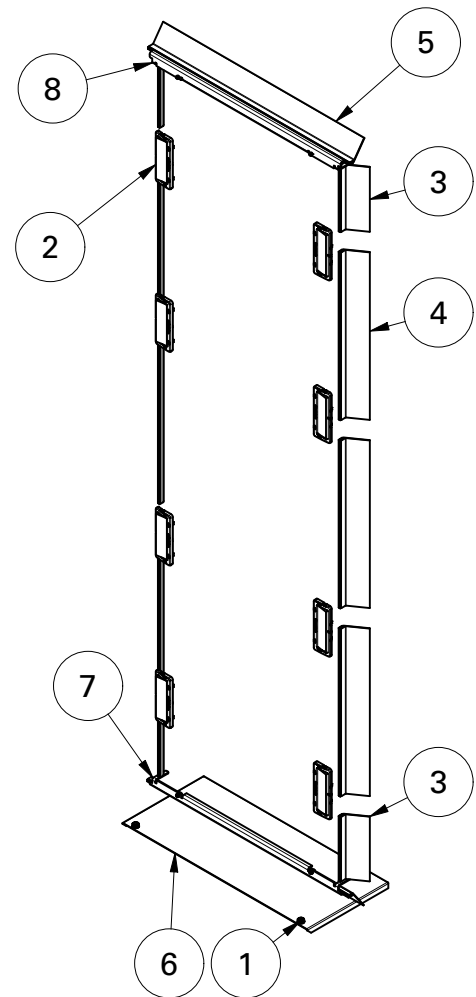


INSTALLED ON RAIL



8X
EQUIPMENT MTG RAIL
BRUSH COVER



PARTS LIST				
ITEM	QTY	PART NUMBER	REV	CODE
1	2	3/8-16 UNC KEPS NUT	00	AL
2	8	024-739716-001-R1	00	
3	4	RFM2-ADK-8.25	00	
4	6	RFM2-ADK-21.375	00	
5	2	RFM2-ADK-29.625	00	
6	1	RFM2-ADK-30-BASE-PAN	00	
7	1	RFM2-ADK-30-BC	01	
8	1	RFM2-ADK-30-T	01	

R.F. MOTE
A division of Chatsworth Products

214 NEWKIRK RD.
RICHMOND HILL, ONTARIO
L4C 3G7
PHONE (905) 884-5250
FAX (905) 737-5188

<p>The information contained herewithin is proprietary and confidential to R.F.MOTE LTD. It may not be reproduced or further disseminated, in whole or in part, without prior written consent from R.F.MOTE LTD.</p>	TOLERANCES FRAC. ± 1/16" ANGLE ± 1.0° HOLES ± 0.003" 0.000 ± 0.015"	DESCRIPTION 30" AIR DAM KIT 52U BLACK c/w 8 BRUSHES BLACK		
	PART NUMBER RFM2-ADK-3052-B	DATE 2024-08-07	MASS 11.62 lb	REV 01
		AUTHOR Fred L.	SHEET 1 OF 1	