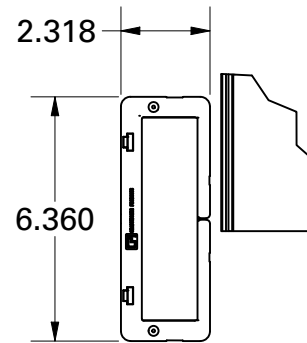
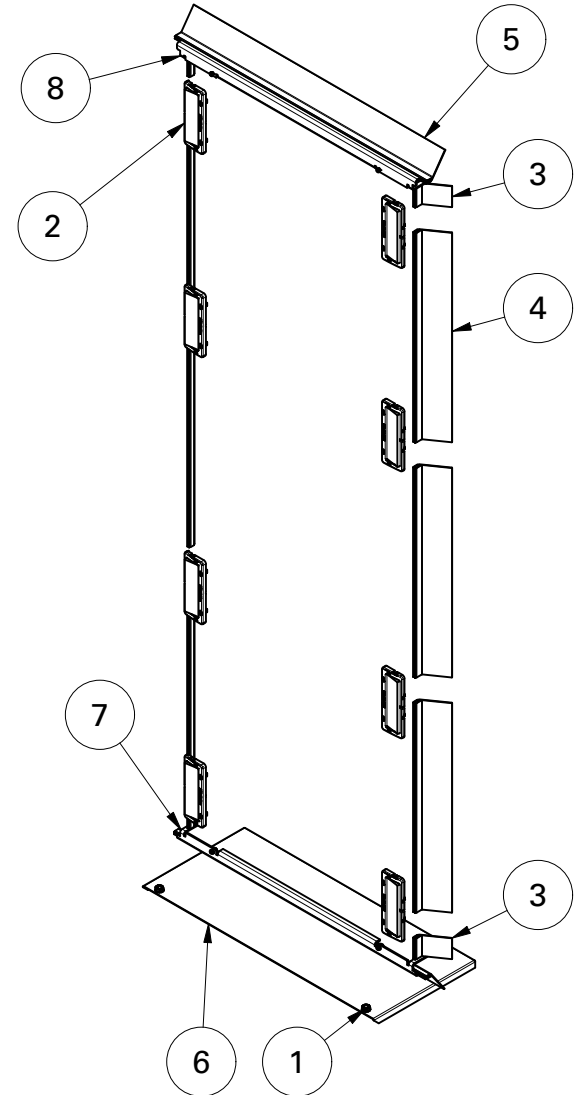


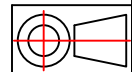
INSTALLED ON RAIL



8X
EQUIPMENT MTG RAIL
BRUSH COVER



PARTS LIST				
ITEM	QTY	PART NUMBER	REV	CODE
1	2	3/8-16 UNC KEPS NUT	00	AL
2	8	024-739716-001-R1	00	
3	4	RFM2-ADK-2.125	00	
4	6	RFM2-ADK-21.375	00	
5	2	RFM2-ADK-29.625	00	
6	1	RFM2-ADK-30-BASE-PAN	00	
7	1	RFM2-ADK-30-BC	01	
8	1	RFM2-ADK-30-T	01	



The information contained herewith is proprietary and confidential to R.F.MOTE LTD. It may not be reproduced or further disseminated, in whole or in part, without prior written consent from R.F.MOTE LTD.

TOLERANCES	DESCRIPTION	214 NEWKIRK RD. RICHMOND HILL, ONTARIO	
FRAC. ± 1/16"	30" AIR DAM KIT 45U BLACK c/w 8 BRUSHES	L4C 3G7	
ANGLE ± 1.0°		PHONE (905) 884-5250	
HOLES ± 0.003"		FAX (905) 737-5188	
0.000 ± 0.015"	PART NUMBER		
	RFM2-ADK-3045-B		
	DATE	MASS	REV
	2024-08-07	11.61 lb	01
	AUTHOR	SHEET 1 OF 1	
	Fred L.		