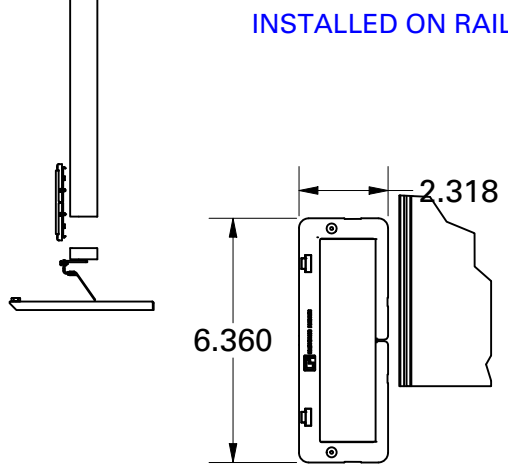
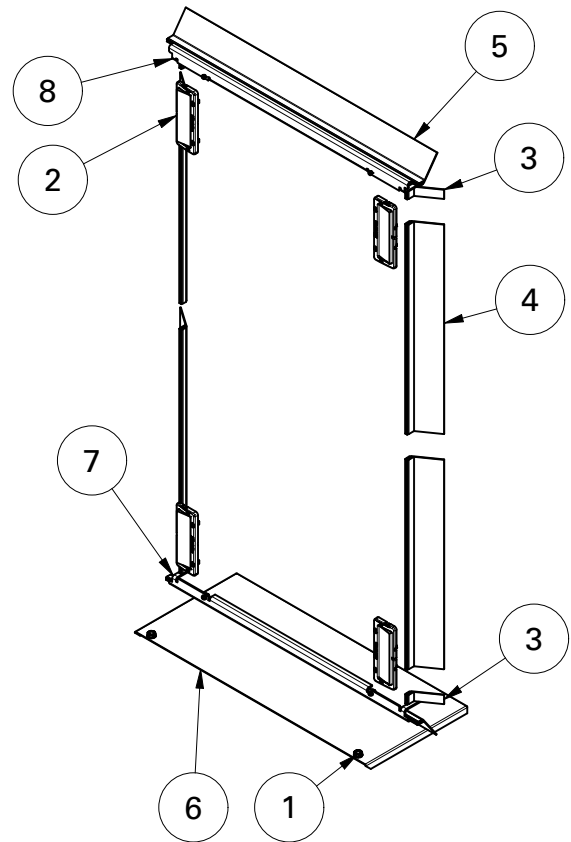


INSTALLED ON RAIL



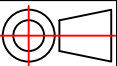
4X
EQUIPMENT MTG RAIL
BRUSH COVER



PARTS LIST				
ITEM	QTY	PART NUMBER	REV	CODE
1	2	3/8-16 UNC KEPS NUT	00	AL
2	4	024-739716-001-R1	00	
3	4	RFM2-ADK-0.937	00	
4	4	RFM2-ADK-21.375	00	
5	2	RFM2-ADK-29.625	00	
6	1	RFM2-ADK-30-BASE-PAN	00	
7	1	RFM2-ADK-30-BC	01	
8	1	RFM2-ADK-30-T	01	

R.F. MOTE
A division of Chatsworth Products

214 NEWKIRK RD.
RICHMOND HILL, ONTARIO
L4C 3G7
PHONE (905) 884-5250
FAX (905) 737-5188

 The information contained herewithin is proprietary and confidential to R.F.MOTE LTD. It may not be reproduced or further disseminated, in whole or in part, without prior written consent from R.F.MOTE LTD.	TOLERANCES FRAC. ± 1/16" ANGLE ± 1.0° HOLES ± 0.003" 0.000 ± 0.015"	DESCRIPTION 30" AIR DAM KIT 30U BLACK c/w 4 BRUSHES BLACK
	PART NUMBER RFM2-ADK-3030-B	DATE 2024-08-16
AUTHOR Fred L.	REV 01	SHEET 1 OF 1