



### 3 ARM CABINET

THE 3-ARM CABINET TURNSTILE IS DESIGNED TO BE A PERMANENT YET COMPACT ACCESS CONTROL UNIT. THIS VERSATILE TURNSTILE CAN BE CONFIGURED TO ACCEPT TOKENS OR COINS, OR IT CAN BE CONNECTED TO ELECTRONIC ACCESS CONTROL SYSTEMS AND ACTIVATED BY BADGE READERS, FINGERPRINT SCANNERS, ETC... THE TURNSTILE MAY ALSO BE SET UP TO FREEWHEEL ONE WAY AND RESTRICT ACCESS THE OTHER

*A VARIETY OF FINISHES ARE AVAILABLE - STAINLESS STEEL SHOWN*

### 3 ARM PORTABLE

THE 3-ARM PORTABLE TURNSTILE IS DESIGNED FOR USE WHERE ONLY TEMPORARY CROWD CONTROL IS REQUIRED. IDEALLY SUITED FOR USE IN AMUSEMENT PARKS, SPORTS FACILITIES, OR SPECIAL EVENTS. THE UNIT IS MECHANICALLY CONTROLLED FOR ONE WAY OPERATION. THIS TURNSTILE CAN BE EQUIPPED TO COUNT INCOMING PATRONS AND IS EASILY REMOVED FROM ENTRANCES FOR RAPID EXIT.

*A VARIETY OF FINISHES ARE AVAILABLE - METALLIC BLUE SHOWN*

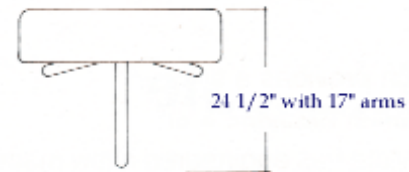
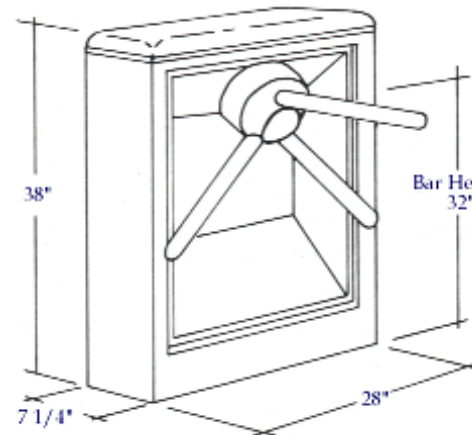
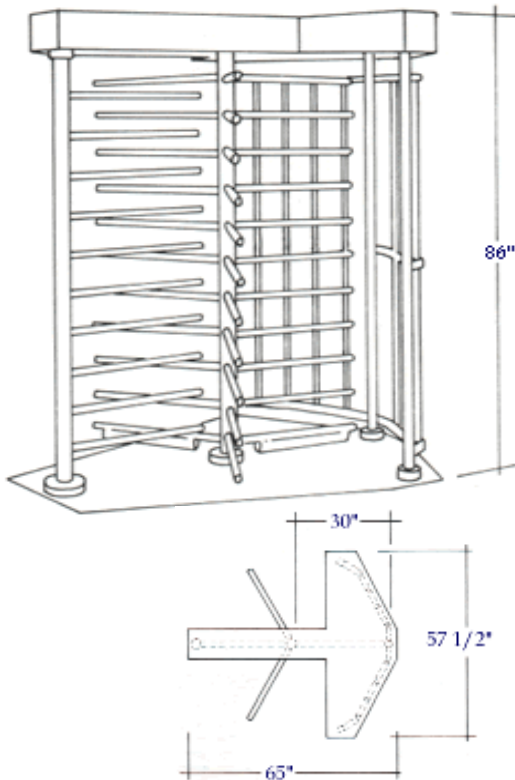


### HIGHGATE

MOTE HAS ENGINEERED A LOW MAINTENANCE HIGHGATE TURNSTILE WHICH PROVIDES A STRONG SECURITY IMAGE AND CAN ELIMINATE THE ADDED COST OF SECURITY PERSONNEL. THE HIGHGATE WILL OPERATE WITH ELECTRONIC ACCESS CONTROL SYSTEMS ACTIVATED BY BADGE READERS, FINGERPRINT SCANNERS, ETC....

THE UNIT FACILITATES THE ENTRANCE AND/OR EXIT OF AUTHORIZED PERSONNEL QUICKLY AND SMOOTHLY. THE HIGHGATE IS AVAILABLE WITH A VARIETY OF FEATURES AND OPTIONS. THE EXTERIOR CAN BE FINISHED TO BLEND IN WITH YOUR INTERIOR OR EXTERIOR DECOR

## Turnstiles - Electronic and Manual



### Specifications

- MHG-1: Electrically Controlled One Way
- MHG-2: Electrically Controlled Two Way
- MHG-3: Mechanically Controlled One Way

### Housing

- Heavy Gauge Steel
- All Welded Construction
- Removable Top Covers

### Arms

- 25" Polished Stainless Steel

### Finish

- Powder Coated
- Stainless Steel
- Hot Dipped Galvanized

### Options

- One Way Mechanical Control
- One Way Electrical Control
- Two Way Electrical Control

All Electrically Controlled Turnstiles can be incorporated in the customers access control system and may be operated by Card Reader, Fingerprint Scanner, Security Personnel, etc...

Units May Also Be Token Or Coin Operated

### Specifications

- MTL-2: 3-Arm Cabinet
- MTL-3: 3-Arm Portable

### Housing

- Heavy Gauge Steel
- All Welded Construction
- Removable Stainless Steel Top Covers

### Arms

- 17" Polished Stainless Steel

### Finish

- Powder Coated
- Stainless Steel
- Hot Dipped Galvanized

### Options

- One Way Mechanical Control
- One Way Electrical Control
- Two Way Electrical Control

All Electrically Controlled Turnstiles can be incorporated in the customers access control system and may be operated by Card Reader, Fingerprint Scanner, Security Personnel, etc...

Units May Also Be Token Or Coin Operated

FOR ADDITIONAL OPTIONS, REFER TO OPTIONS SPECIFICATION SHEET