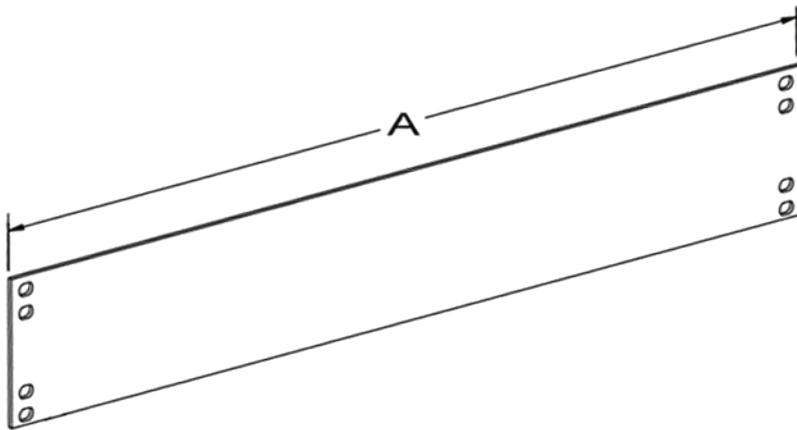


BLANKING PLATES STEEL

PART NUMBER	A	# of U's	PART NUMBER	A	# of U's
RFM-BP19-1U	19.00"	1U	RFM-BP23-1U	23.00"	1U
RFM-BP19-2U	19.00"	2U	RFM-BP23-2U	23.00"	2U
RFM-BP19-3U	19.00"	3U	RFM-BP23-3U	23.00"	3U
RFM-BP19-4U	19.00"	4U	RFM-BP23-4U	23.00"	4U
RFM-BP19-5U	19.00"	5U	RFM-BP23-5U	23.00"	5U
RFM-BP19-9U	19.00"	9U	RFM-BP23-9U	23.00"	9U



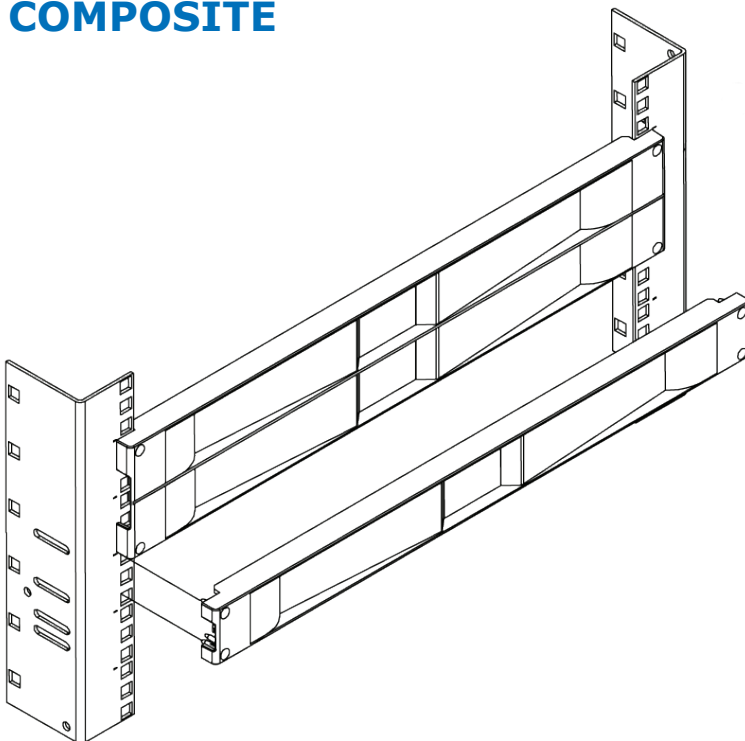
HEAVY GAUGE STEEL

DURABLE BLACK TEXTURED POWDER
COATED FINISH

CUSTOM COLOURS AND SIZES AVAILABLE
ON REQUEST

BLANKING PLATES COMPOSITE

PART NUMBER	QTY/PKG	# of U's
RFM-BPTL-19-1U	10	1U
RFM-BPTL-19-2U	10	2U



BLACK COMPOSITE MATERIAL

1U & 2U AVAILABLE

EASY, TOOL-LESS, INSTALLATION

USED IN TAPPED OR SQUARE
19"EIA RAILS

AVAILABLE IN CONTRATOR PACKS
OF QTY 10