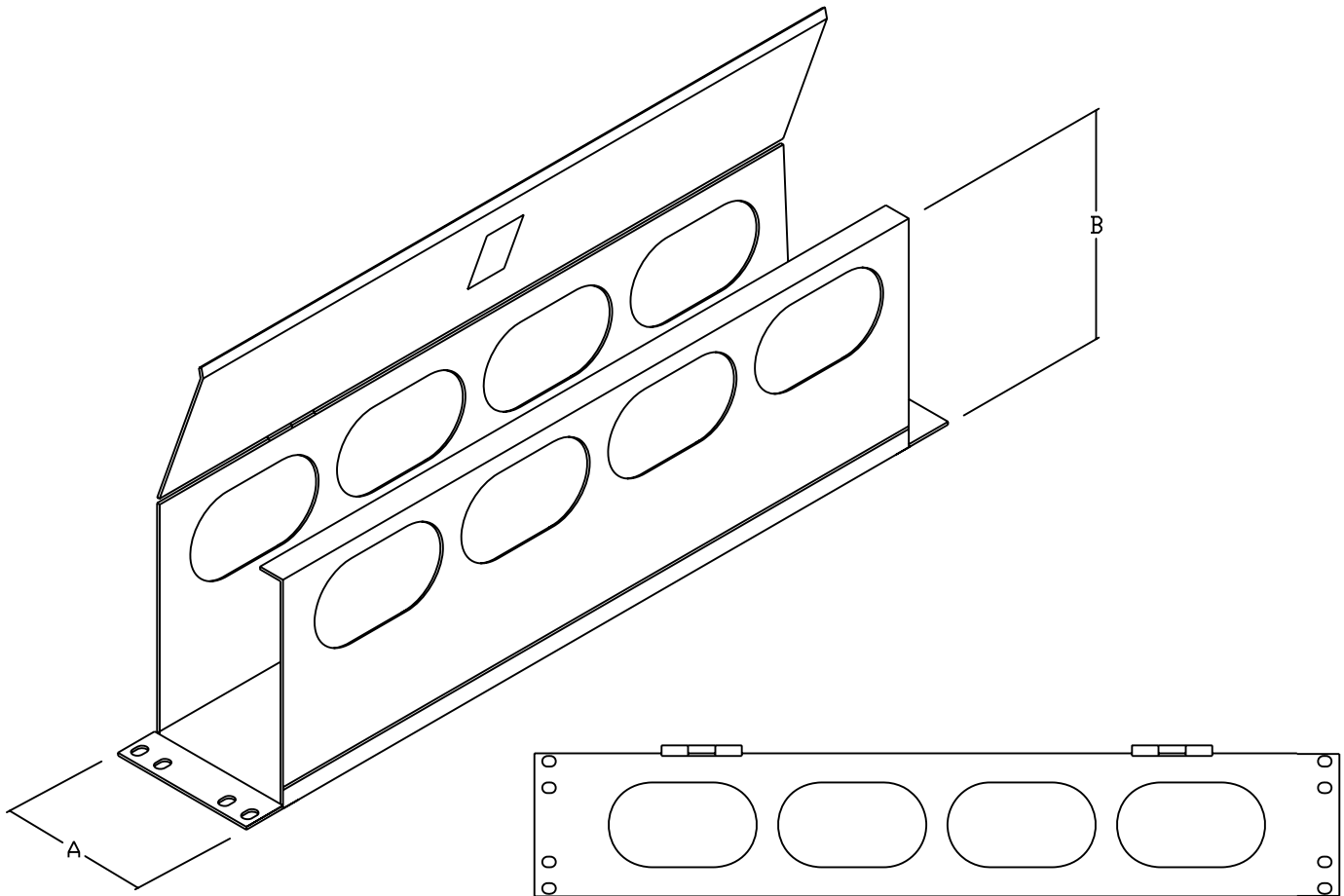


HORIZONTAL CABLE MANAGER EXTRA DEEP

	PART NUMBER	A	B	# of U's
19" EIA	RFM-191D-HCM-D	1.75	5.5	1U
	RFM-192D-HCM-D	3.50	5.5	2U
	RFM-195D-HCM-D	8.75	5.5	5U



REAR VIEW

DESIGNED FOR USE WITH PATCH CORDS
WITH EXTRA LONG BOOTS

DOOR LATCHES CLOSED

HEAVY GAUGE STEEL CONSTRUCTION

DURABLE BLACK TEXTURED POWDER
COATED FINISH

CUSTOM COLOURS AND SIZES AVAILABLE
ON REQUEST