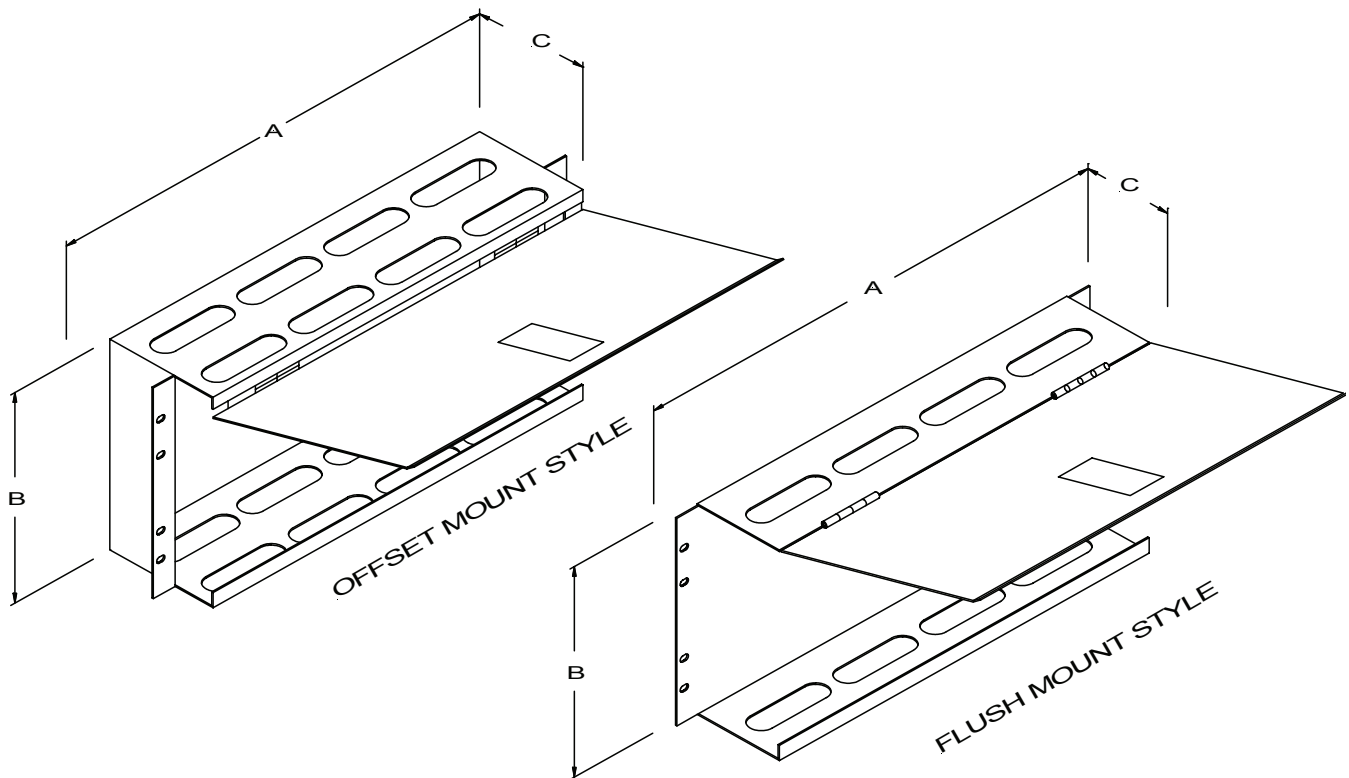


## HORIZONTAL CABLE MANAGER

		PART NUMBER	A	B	C	# of U's
19" EIA	FLUSH	RFM-191D-HCM	19.00	1.75	2.40	1U
	FLUSH	RFM-192D-HCM-TD	19.00	3.50	2.40	2U
	FLUSH	RFM-193D-HCM	19.00	5.25	2.40	3U
	FLUSH	RFM-194D-HCM	19.00	7.00	2.40	4U
	OFFSET	RFM-195D-HCM	19.00	8.63	4.75	5U
	FLUSH	RFM-196D-HCM	19.00	10.50	2.40	6U
23" EIA	FLUSH	RFM-231D-HCM	23.00	1.75	2.40	1U
	FLUSH	RFM-232D-HCM-TD	23.00	3.50	2.40	2U
	FLUSH	RFM-233D-HCM	23.00	5.25	2.40	3U
	OFFSET	RFM-235D-HCM	23.00	8.63	4.75	5U



HEAVY GAUGE STEEL

DURABLE BLACK TEXTURED POWDER  
COATED FINISH

CUSTOM COLOURS AND SIZES AVAILABLE  
ON REQUEST