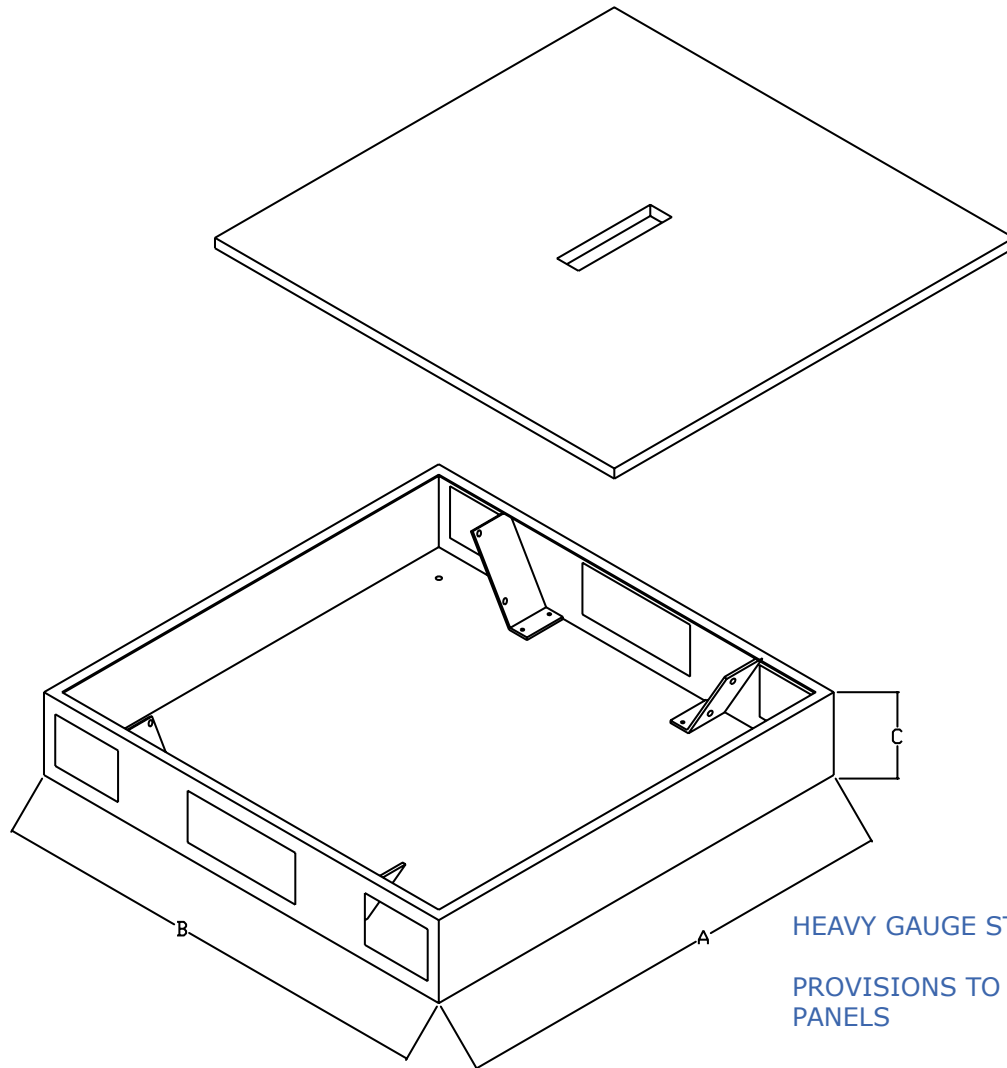


## CONSOLIDATION BOX

PART NUMBER	A	B	C
RFM-2222-CB	22.00	22.00	4.00



HEAVY GAUGE STEEL

PROVISIONS TO MOUNT 2 x 3U PATCH  
PANELS

DESIGNED FOR UNDERFLOOR OR CEILING  
MOUNT

MULTIPLE CABLE ACCESS OPENINGS

LIFT OFF LID MECHANICALLY FASTENED

LOCKING VERSION AVAILABLE

DURABLE BLACK TEXTURED POWDER  
COATED FINISH

CUSTOM COLOURS AND SIZES AVAILABLE  
ON REQUEST