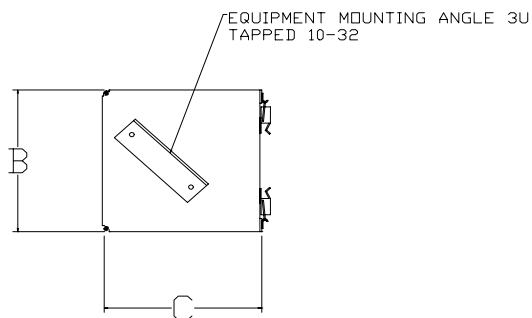
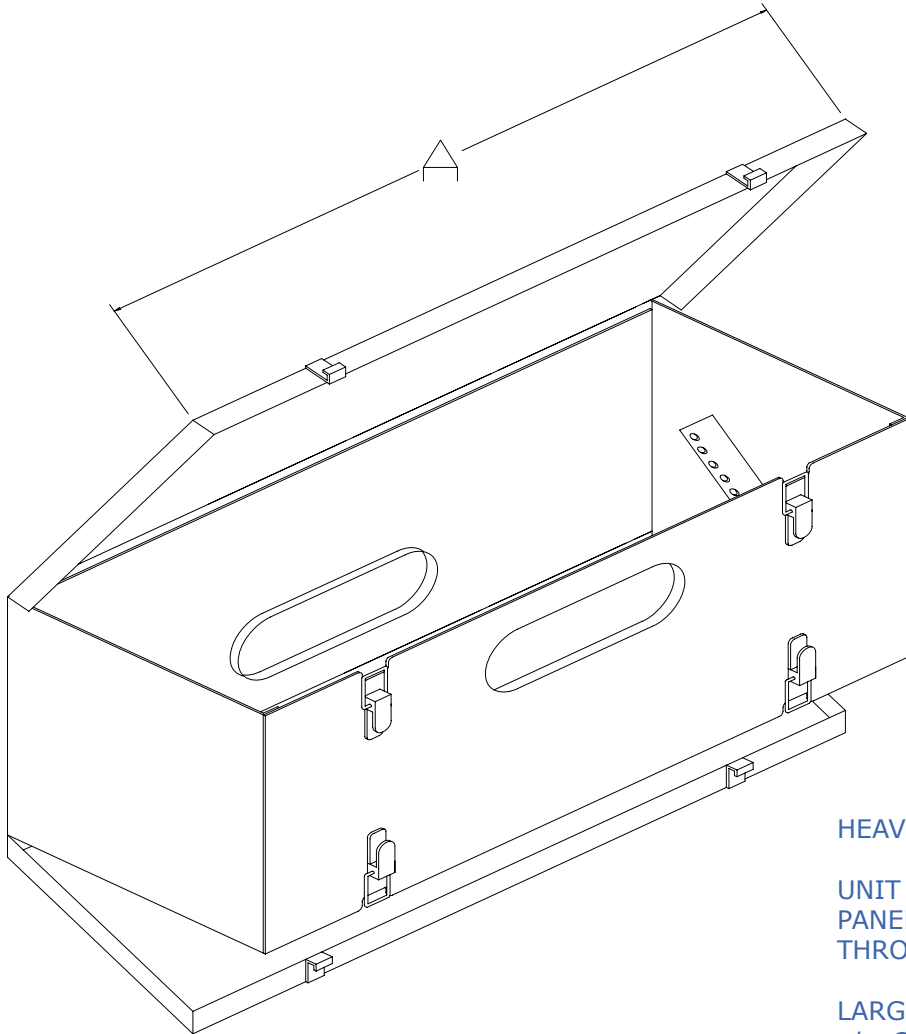


CONSOLIDATION BOX

PART NUMBER	A	B	C
RFM-820-CB	20.00	8.00	8.00



END VIEW

HEAVY GAUGE STEEL

UNIT DESIGNED TO HOUSE 48 PORT PATCH PANEL AND UP TO 48 CAT-6A CABLES THROUGH FRONT AND REAR OF BOX

LARGE CABLE ACCESS HOLES
c/w GROMMETS

PROVISIONS FOR AFFIXING TO CEILING

DUAL HINGED DESIGNED AND SLOPED EQUIPMENT MOUNTING ANGLES PROVIDE EASY ACCESS FROM FRONT OR REAR OF PATCH PANEL

MOUNTING ANGLES SUPPORT UP TO 3U OF EQUIPMENT SPACE

DURABLE BLACK TEXTURED POWDER COATED FINISH

CUSTOM COLOURS AND SIZES AVAILABLE ON REQUEST