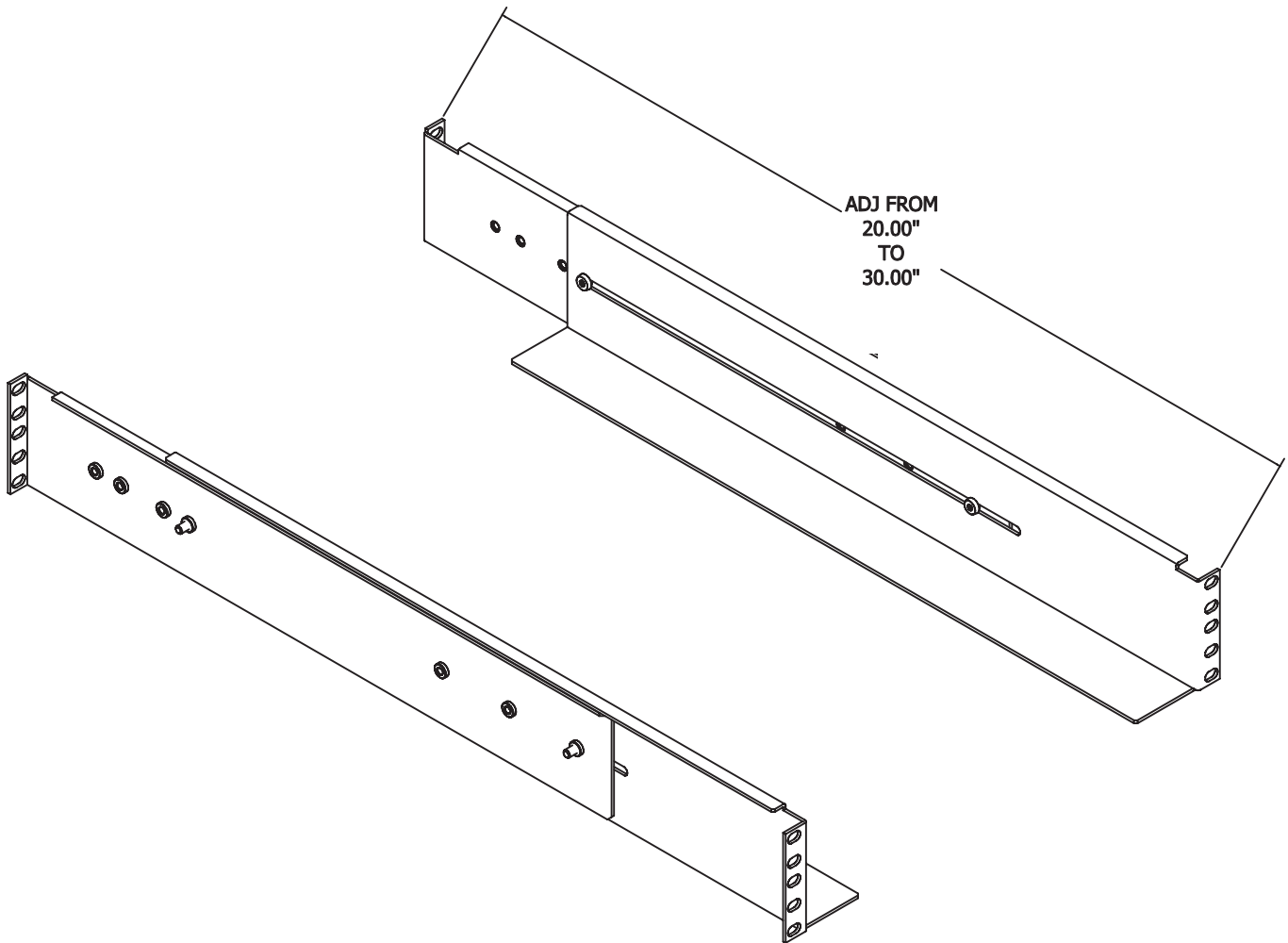


## SERVER SUPPORT BRACKETS

PART NUMBER	DEPTH (ADJ)	# of U's
RFM-UPS-4PKT-FLM	20" to 30"	2U



HEAVY GAUGE STEEL CONSTRUCTION

ADJUSTABLE FROM 20" TO 30"

SOLD IN PAIRS

BOLTS TO EQUIPMENT RAILS

PROVIDES 4 POINT SUPPORT FOR  
EQUIPMENT

DURABLE BLACK TEXTURED POWDER  
COATED FINISH