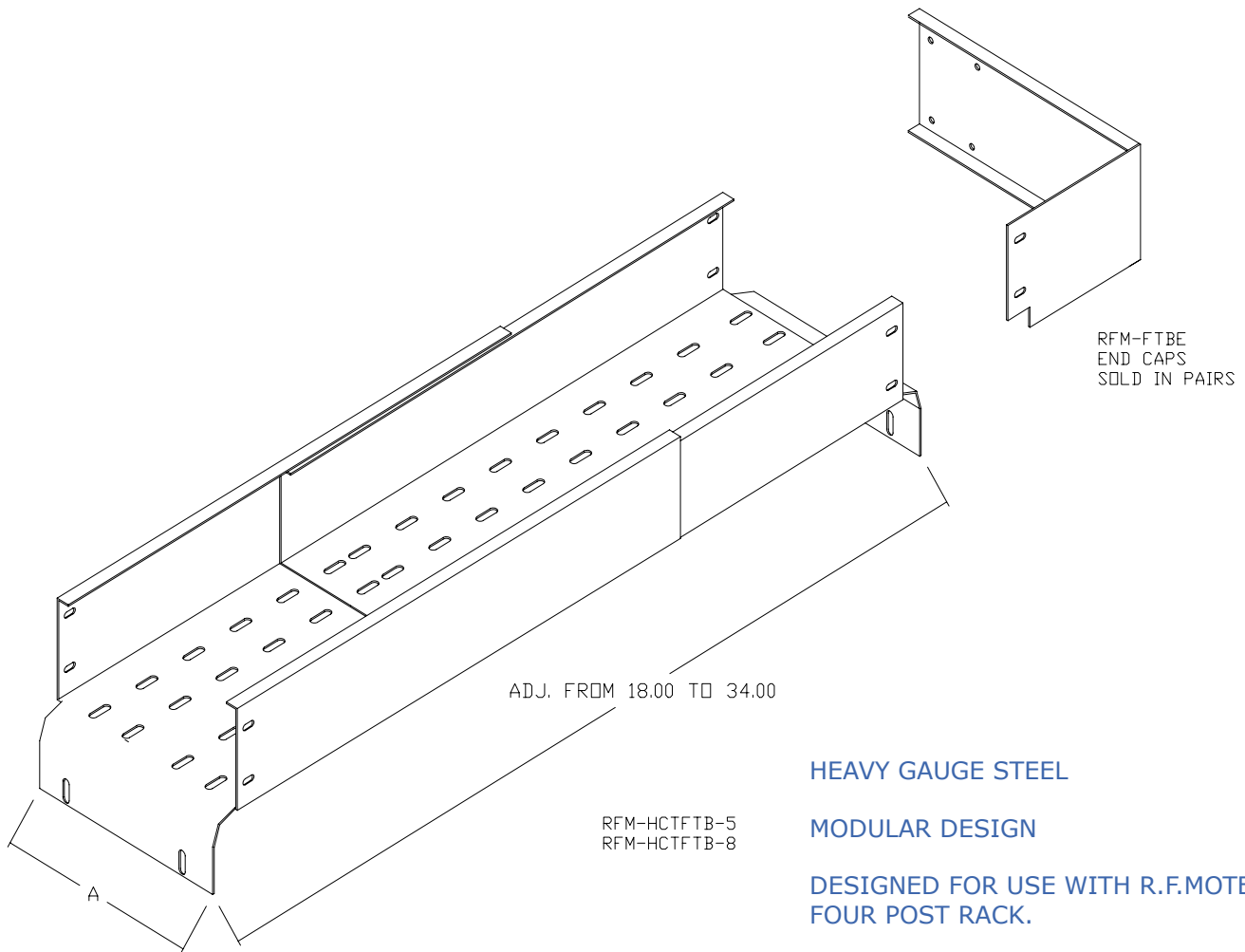


HORIZONTAL CABLE TROUGH FRONT TO BACK

FITS ALL OUR	PART NUMBER	A
5" WIDE CMS	RFM-HCTFTB-5	5.00
8" WIDE CMS	RFM-HCTFTB-8	8.00
END CAPS (RFM-HCTE)	RFM-FTBE	n/a



RFM-HCTFTB-5
RFM-HCTFTB-8

HEAVY GAUGE STEEL

MODULAR DESIGN

DESIGNED FOR USE WITH R.F.MOTE LTD
FOUR POST RACK.

UNIT PROVIDES SUPPORT FOR CABLES
RUNNING FROM THE FRONT CMS TO THE
REAR CMS

TROUGH ATTACHES TO THE VERTICAL
MANAGER AND IS ADJUSTABLE FROM
18" TO 34"

DURABLE BLACK TEXTURED POWDER
COATED FINISH

CUSTOM COLOURS AND SIZES AVAILABLE
ON REQUEST