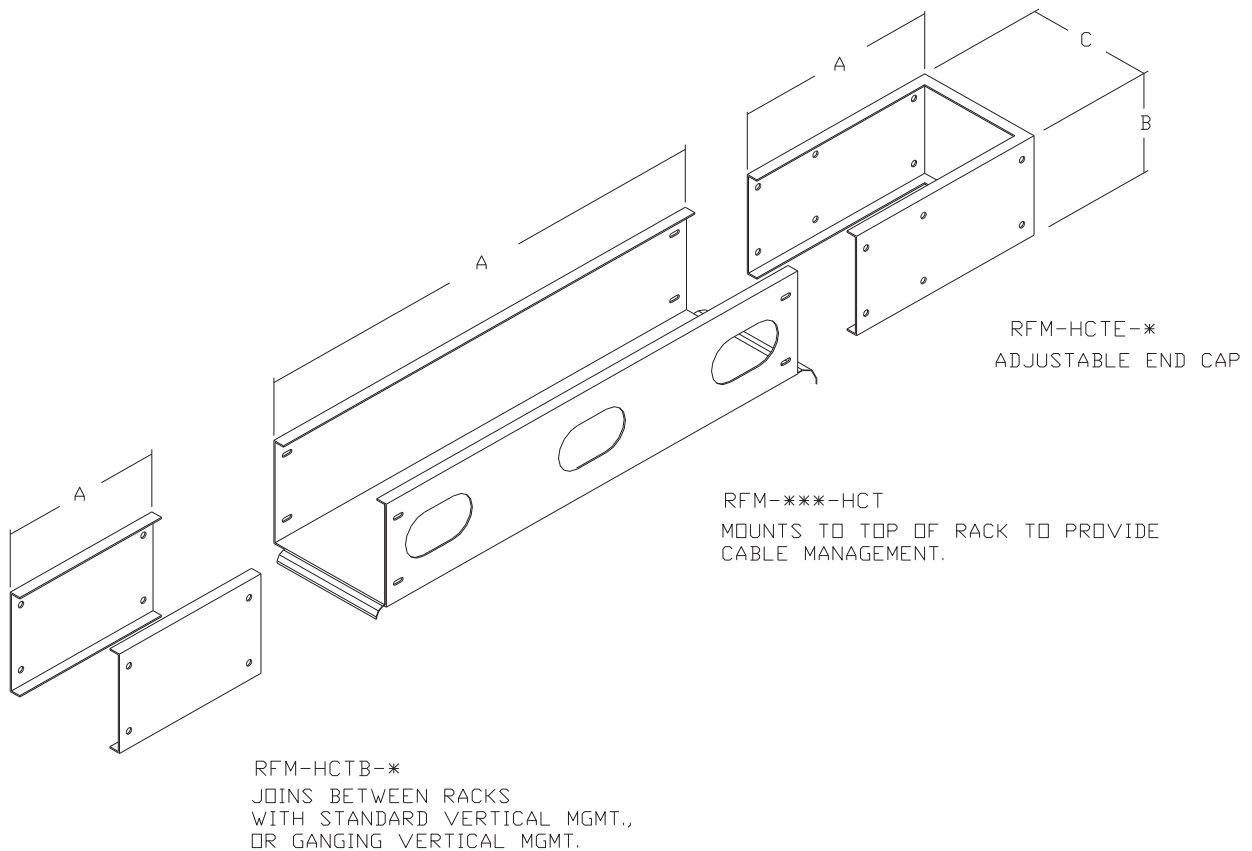


## HORIZONTAL CABLE TROUGH HIGH DENSITY

FITS ALL OUR	PART NUMBER	A	B	C
19" EIA RACKS	RFM-119-HCT-8	21.50	4.75	7.88
8" DEEP VERT. CMS	RFM-HCTE-8	ADJ.	4.50	7.63
8" DEEP VERT. X 18" WIDE	RFM-HCTE-8-18	ADJ.	4.50	7.63
5" WIDE VERT. CMS	RFM-HCTB-5	7.40	4.50	n/a
8" WIDE VERT. CMS	RFM-HCTB-8	10.40	4.50	n/a
10" WIDE VERT. CMS	RFM-HCTB-10	12.40	4.50	n/a
12" WIDE VERT. CMS	RFM-HCTB-12	14.40	4.50	n/a
18" WIDE VERT. CMS	RFM-HCTB-18	20.40	4.50	n/a



HEAVY GAUGE STEEL

MODULAR DESIGN

DURABLE BLACK TEXTURED POWDER  
COATED FINISH

CUSTOM COLOURS AND SIZES  
AVAILABLE ON REQUEST