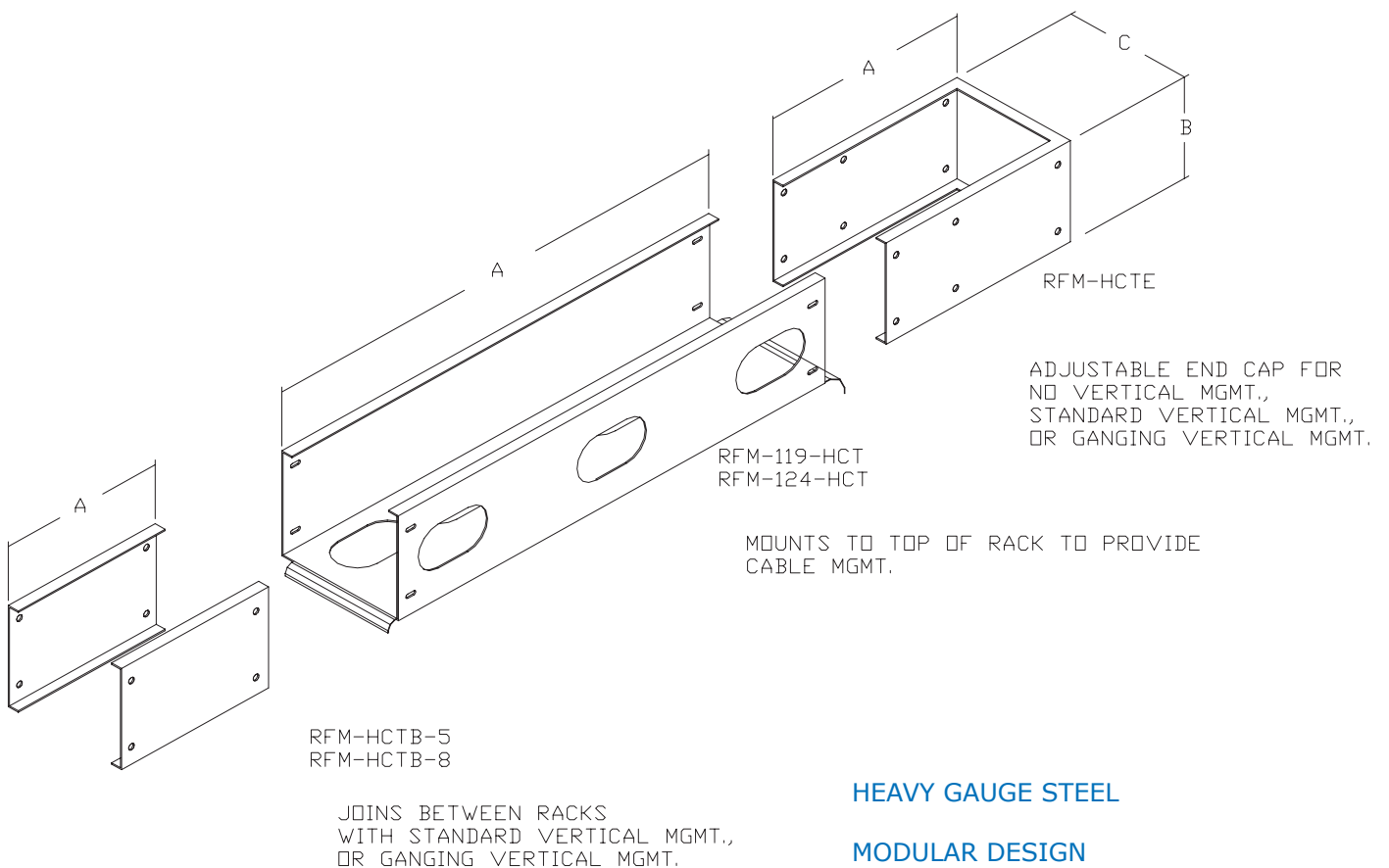


HORIZONTAL CABLE TROUGH

FITS ALL OUR	PART NUMBER	A	B	C
19" EIA RACKS	RFM-119-HCT	21.50	4.75	5.88
23" EIA RACKS	RFM-123-HCT	25.50	4.75	5.88
STD. OR GANGING VERTICAL CMS	RFM-HCTE	ADJ.	4.50	5.63
STD VERT. CMS	RFM-HCTB-5	7.40	4.50	n/a
GANGING VERT. CMS	RFM-HCTB-8	10.40	4.50	n/a
10" WIDE VERT. CMS	RFM-HCTB-10	12.40	4.50	n/a
12" WIDE VERT. CMS	RFM-HCTB-12	14.40	4.50	n/a



HEAVY GAUGE STEEL

MODULAR DESIGN

**WATERFALL ON ENDS OF TROUGHS
SUPPORTS CABLES AS THEY TRANSITION
INTO VERTICAL MANAGERS**

**DURABLE BLACK TEXTURED POWDER
COATED FINISH**

**CUSTOM COLOURS AND SIZES AVAILABLE
ON REQUEST**