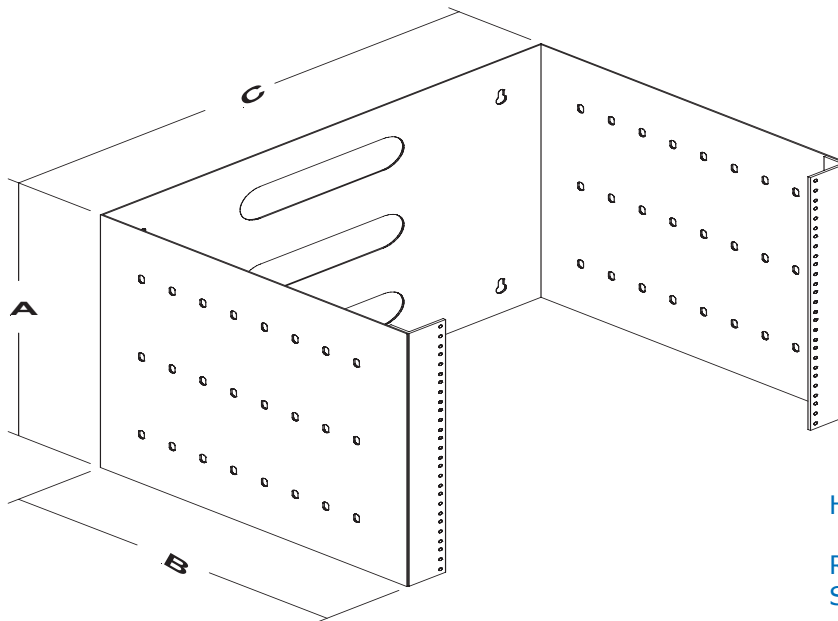


WALL MOUNT BRACKETS

	PART NUMBER	A	B	C	# of U's
HINGED	RFM-1902-HWMB	3.50	6.00	19.75	2U
HINGED	RFM-1906-HWMB*	10.50	9.00 ~ 15.00	21.50	6U
HINGED	RFM-1909-HWMB*	15.75	9.00 ~ 15.00	21.50	9U
HINGED	RFM-1911-HWMB-22*	19.25	16.00 ~ 22.00	21.50	11U
NON-HINGED	RFM-1904-WMB	7.00	5.00	21.50	4U
NON-HINGED	RFM-1906-WMB*	10.50	9.00 ~ 15.00	21.50	6U
NON-HINGED	RFM-1909-WMB*	15.75	9.00 ~ 15.00	21.50	9U
NON-HINGED	RFM-1911-WMB-22*	19.25	16.00 ~ 22.00	21.50	11U
* C/W ADJUSTABLE DEPTH					



HEAVY GAUGE STEEL

RAILS ARE TAPPED #10-32 TO EIA
STANDARD 19" PATTERN

ACCESS SLOTS PROVIDED IN REAR FACE

CABLE TIE SLOTS PROVIDED IN SIDE
WALLS

DURABLE BLACK TEXTURED POWDER
COATED FINISH

CUSTOM COLOURS AND SIZES AVAILABLE
ON REQUEST