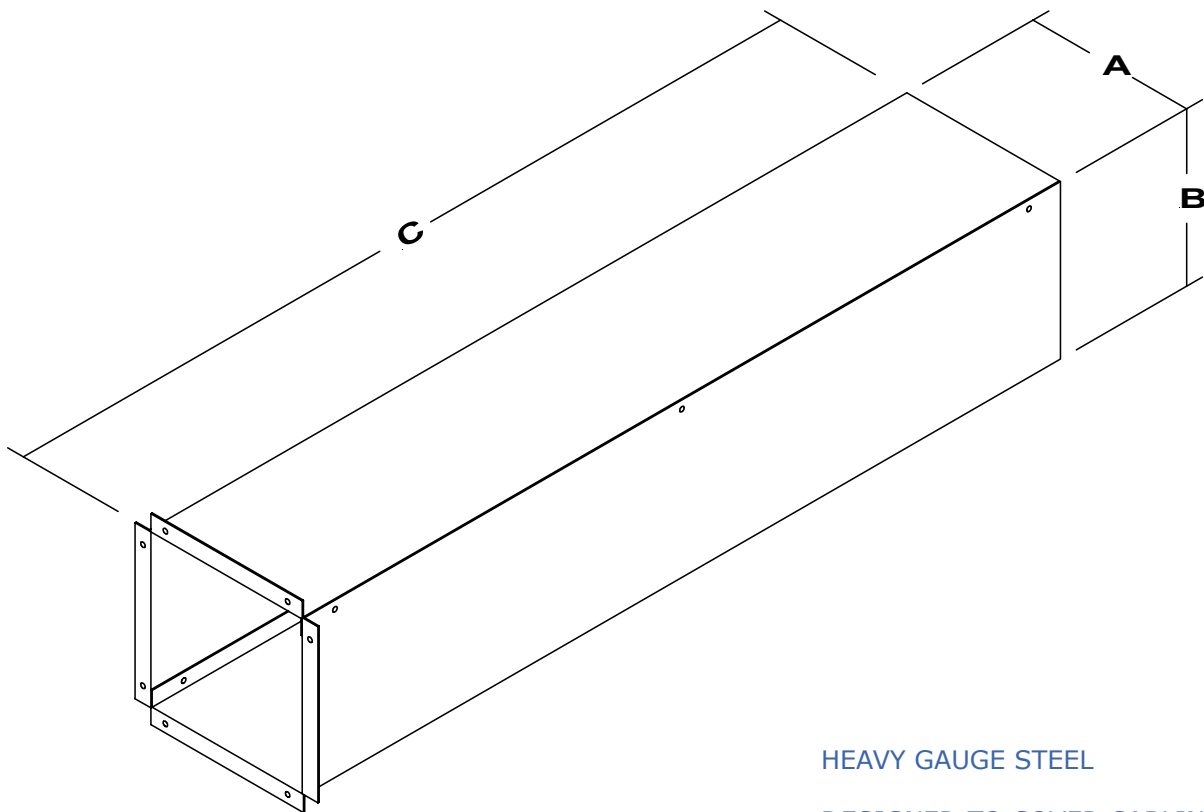


WIRING STACKS

	PART NUMBER	A	B	C	# of U's
FITS ALL OUR	RFM-SWS-24	4.875	4.875	24.00	14U
RACKS AND	RFM-SWS-36	4.875	4.875	36.00	21U
CABINETS	RFM-SWS-48	4.875	4.875	48.00	28U
	RFM-SWS-60	4.875	4.875	60.00	34U



HEAVY GAUGE STEEL

DESIGNED TO COVER CABLING FROM
CEILING TO RACK OR CABINET

TWO PIECE CONSTRUCTION ALLOWS
CABLING TO BE INSTALLED FIRST

SIMPLE SCREW ASSEMBLY

DURABLE BLACK TEXTURED POWDER
COATED FINISH

CUSTOM COLOURS AND SIZES AVAILABLE
ON REQUEST