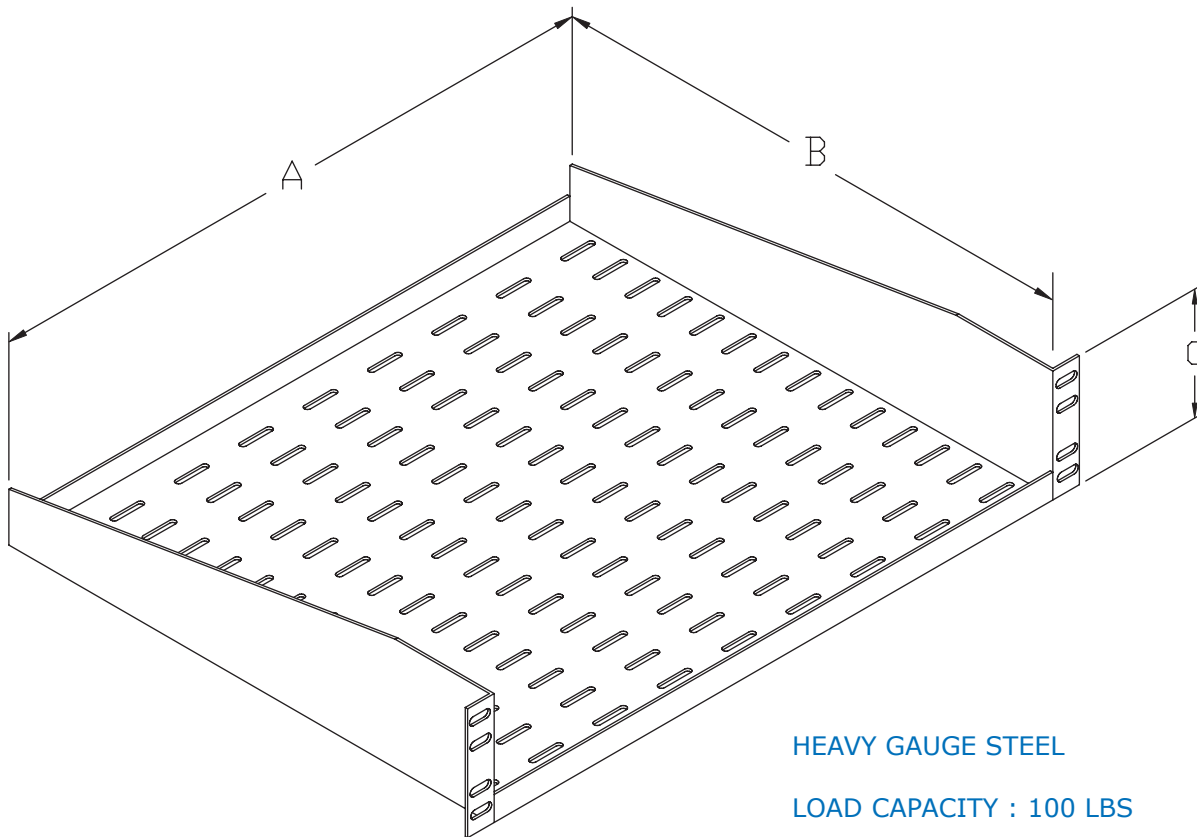


RACK SHELF FIXED CANTILEVER

	PART NUMBER	A	B	C	# of U's
19" MOUNTING	RFM-1915-RFS	17.50	15.00	3.50	2U
	RFM-1921-RFS	17.50	21.00	3.50	2U
	RFM-1912-RFS	17.50	12.00	3.50	2U
	RFM-1909-RFS	17.50	9.00	3.50	2U
23" MOUNTING	RFM-2315-RFS	21.50	15.00	3.50	2U
	RFM-2321-RFS	21.50	21.00	3.50	2U



HEAVY GAUGE STEEL

LOAD CAPACITY : 100 LBS

PERFORATED FOR VENTILATION, MOUNTING SERVERS, CABLE TIES, AND ACCESSORIES

DURABLE BLACK TEXTURED POWDER COATED FINISH

CUSTOM COLOURS AND SIZES AVAILABLE ON REQUEST