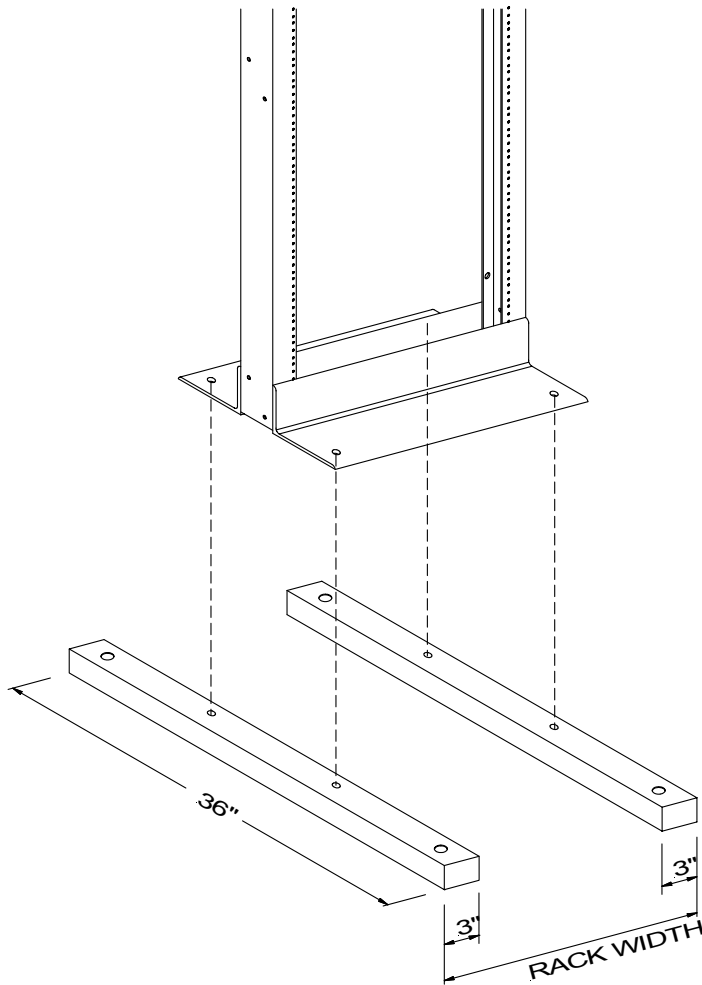


HEAVY DUTY RACK KIT

	PART NUMBER	A	B	# of U's
FITS ALL RACKS	RFM-RHD-KIT	36.00	3.00	NA



HEAVY GAUGE STEEL FRAME

BOLT-ON STABILIZING BARS c/w
ADJUSTABLE FEET

FITS ALL R.F.MOTE RACKS

LARGE FOOTPRINT FOR STABILITY

CASTER SETS ARE AVAILABLE

DURABLE BLACK TEXTURED POWDER
COATED FINISH

CUSTOM COLOURS AND SIZES AVAILABLE
ON REQUEST