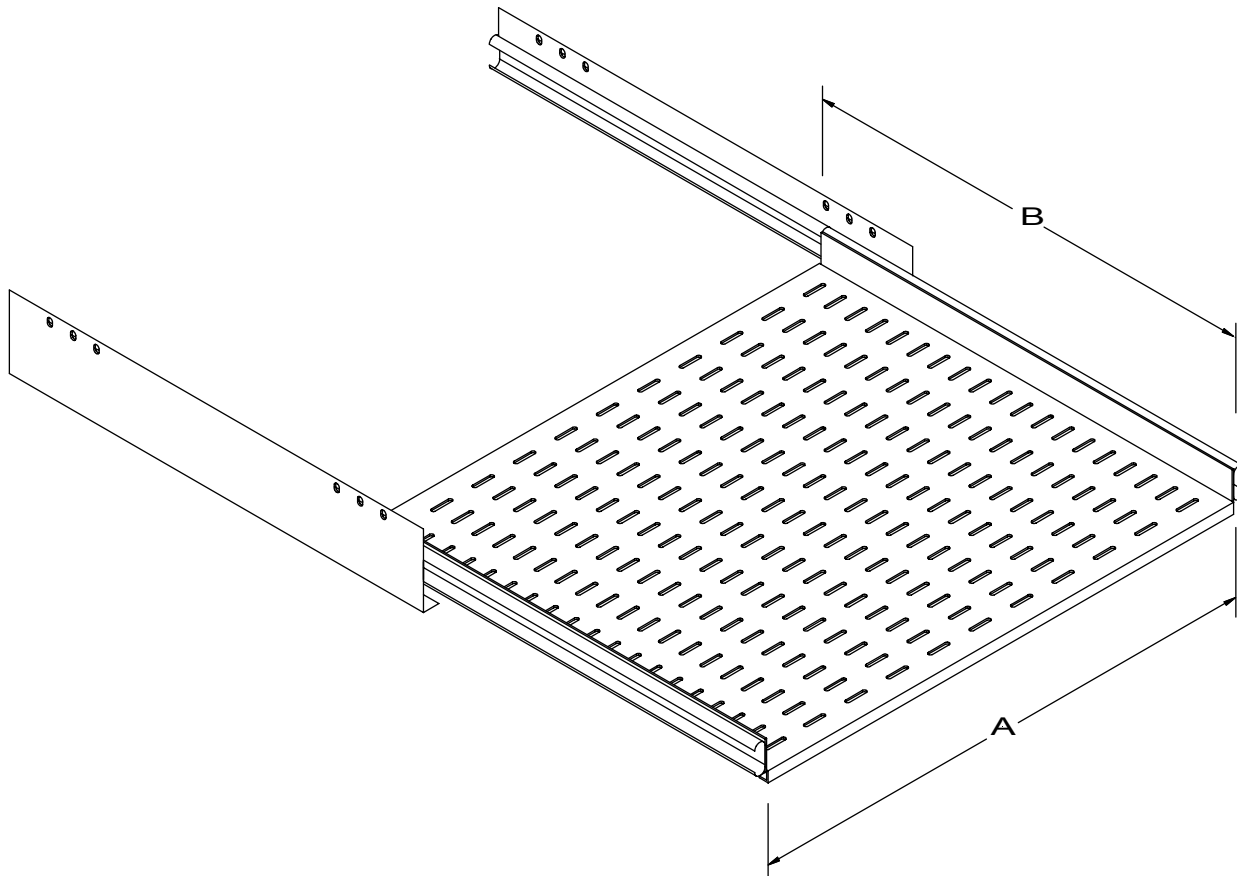


## WIDE SLIDING SHELF FOR CABINETS

	PART NUMBER	A	B
30" WIDE CABINET	RFM-2220-CRS	21.63	20.00
24" WIDE CABINET	RFM-1720-CRS-24	16.63	20.00



HEAVY GAUGE STEEL

RETURN BENDS FOR STRENGTH

MULTIPLE MOUNTING LOCATIONS

PERFORATED FOR VENTILATION, MOUNTING  
SERVERS, CABLE TIES AND ACCESSORIES

HEAVY DUTY FULL EXTENSION DRAWER  
SLIDES

DURABLE BLACK TEXTURED POWDER  
COATED FINISH

CUSTOM COLOURS AND SIZES AVAILABLE

**NOTE: THIS CABINET STYLE SHELVING REQUIRES  
4 (FOUR) Z-RAILS FOR MOUNTING CABINETS**