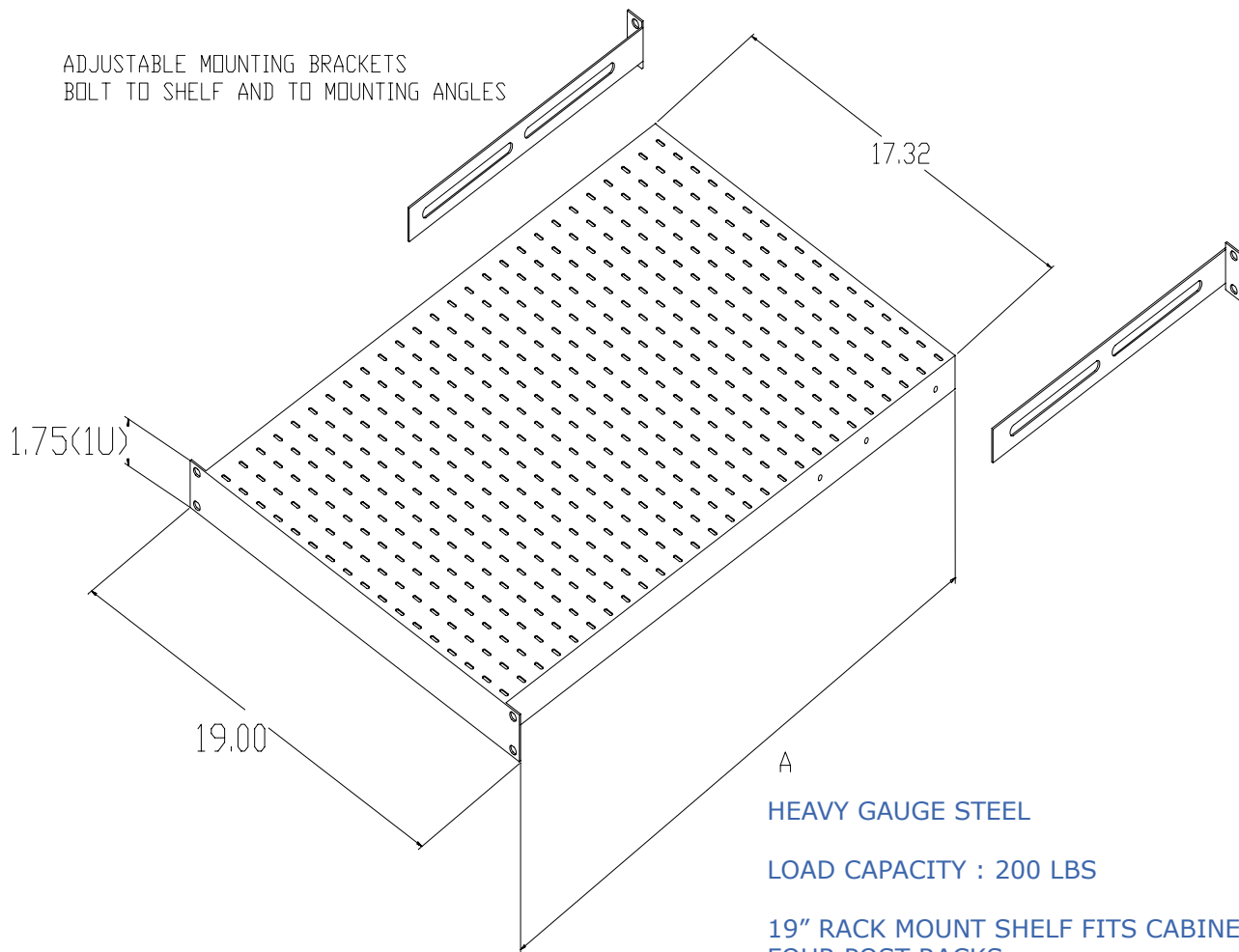


## CABINET SHELF 4 POINT RACK MOUNTING

PART NUMBER	A	OVERALL ADJUSTABLE MOUNTING DEPTH	# of U's
RFM-1726-CFS-4	26.00	6.00" ~ 33.475"	1U
RFM-1719-CFS-4	19.00	6.00" ~ 26.625"	1U
RFM-1716-CFS-4 (NON-VENTED)	16.00	6.00" ~ 23.625"	1U



ADJUSTABLE MOUNTING BRACKETS  
 BOLT TO SHELF AND TO MOUNTING ANGLES

HEAVY GAUGE STEEL

LOAD CAPACITY : 200 LBS

19" RACK MOUNT SHELF FITS CABINETS AND  
 FOUR POST RACKS

IN CABINETS, BOLTS TO EIA MOUNTING RAILS  
 FRONT AND REAR (REQ'S 4 MOUNTING ANGLES)

MOUNTING BRACKETS ARE ADJUSTABLE  
 ALLOWING FLEXIBILITY IN EIA MOUNTING  
 ANGLE LOCATION WITHIN CABINET

DURABLE BLACK TEXTURED POWDER COATED  
 FINISH

CUSTOM COLOURS AND SIZES AVAILABLE ON  
 REQUEST