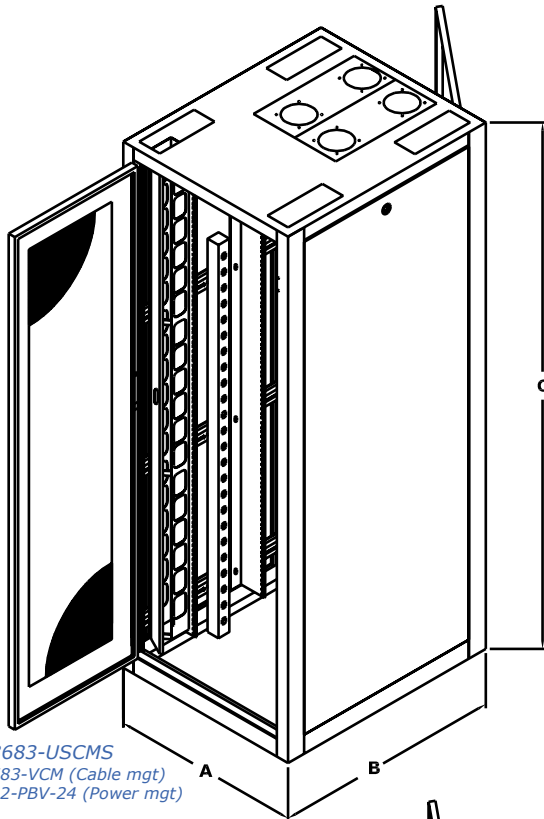
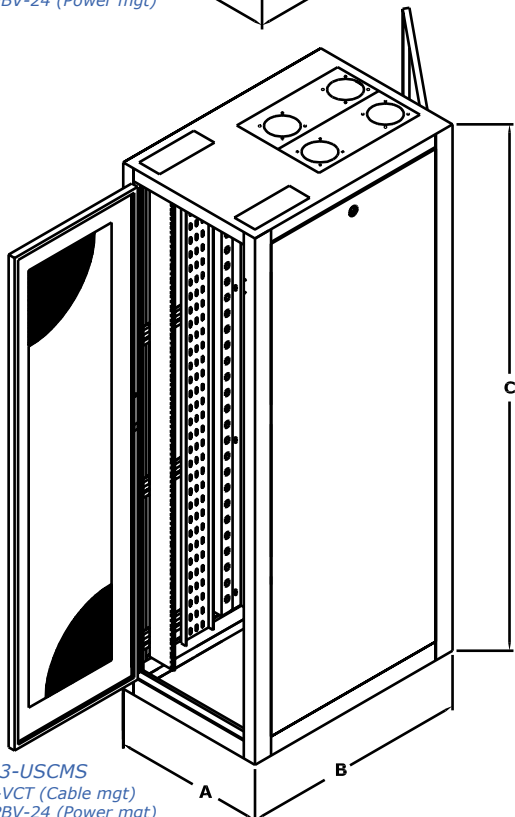


## SERVER CABINET- CMS SERIES



RFM-303683-USCMS  
 2 x RFM-583-VCM (Cable mgt)  
 1 x RFM-62-PBV-24 (Power mgt)



RFM-243683-USCMS  
 2 x RFM-583-VCT (Cable mgt)  
 1 x RFM-62-PBV-24 (Power mgt)

PART NUMBER	A	B	C	#of U's
RFM-304283-USCMS	30.00	42.00	83.00	44U
RFM-303683-USCMS	30.00	36.00	83.00	44U
RFM-244283-USCMS	24.00	42.00	83.00	44U
RFM-243683-USCMS	24.00	36.00	83.00	44U
RFM-304283-USCMS-P	30.00	42.00	83.00	44U
RFM-303683-USCMS-P	30.00	36.00	83.00	44U
RFM-244283-USCMS-P	24.00	42.00	83.00	44U
RFM-243683-USCMS-P	24.00	36.00	83.00	44U

HEAVY GAUGE STEEL

ALL WELDED CONSTRUCTION

LOAD CAPACITY : 2500 LBS

PERFORATED, LOCKABLE, FRONT AND REAR DOOR  
 (PERFORATED 63% OPEN)

2 x SOLID, LOCKABLE, LIFT OFF SIDE PANELS  
 (AVAILABLE PERFORATED 63% OPEN)

TOP c/w CABLE ACCESS OPENINGS AND 4 FAN  
 OPENINGS WHICH MAY ALSO BE USED FOR CABLE  
 ACCESS. (COVER PLATES ARE PROVIDED)

PERFORATED TOP PANELS AVAILABLE

4 x MOUNTING ANGLES PUNCHED TO EIA  
 UNIVERSAL 19" SPACING FOR CAGE NUTS

1 x HARDWARE PACKAGE (QTY 24 CAGE NUTS AND SCREWS)

2 x 5"w VERTICAL CABLE MANAGERS

1 x 24 OUTLET POWERBAR, RATED 15A

4 x ADJUSTABLE LEVELLING FEET

4 x GROUNDING POINTS (2 TOP, 2 BOTTOM)

STANDARD COLOUR IS ALL BLACK

23" AND 24" EIA AVAILABLE (FOR 30"w CABINET)

GANGING VERSIONS ARE AVAILABLE - ADD  
 SUFFIX '-G' TO PART NUMBER.

**E.G. RFM-303683-USCMS-G** note: CABINET(S)  
 SHIPPED LESS THE SIDE PANELS and c/w GANGING KITS

PERFORATED SIDES CONFIGURATION AVAILABLE - ADD  
 SUFFIX '-P' TO PART NUMBER.

**E.G. RFM-303683-USCMS-P**

CUSTOM COLOURS AND CUSTOM SIZES AVAILABLE  
 ON REQUEST