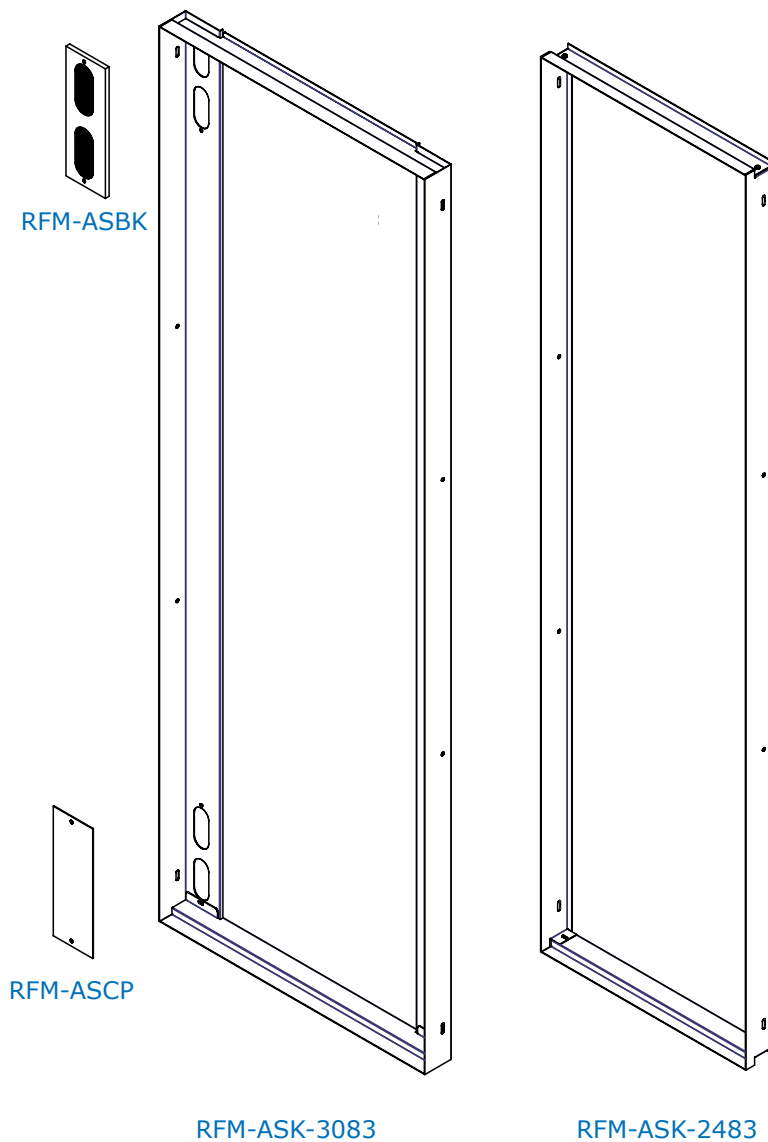


AIRSTOP KITS for RFM SERIES CABINETS

Airstop Brush Kit & Airstop
Cover Plate also shown

PART NUMBER	FITS OUR
RFM-ASK-3083	30"W x 83"H RFM SERIES CABINET
RFM-ASK-2483	24"W x 83"H RFM SERIES CABINET
OPTIONS:	
RFM-ASBK	RFM-ASK-3083
RFM-ASCP	RFM-ASK-3083



MOUNTS ON CABINET CROSS MEMBERS

BRACKETS PREVENT AIR FROM CIRCULATING AROUND INSTALLED MOUNTING ANGLES

PREVENTS WARM AND COLD AIR MIXING WITHIN THE CABINET

MOUNTING ANGLES MUST BE POSITIONED BETWEEN 1.75" to 3.0" FROM FRONT OF CABINET WHEN USING AIRSTOP KITS

30"W VERSION COMES WITH COVER PLATES WHICH CAN BE REPLACED WITH OPTIONAL BRUSH KITS (WHICH ALLOW CABLES TO BE PASSED THROUGH FROM THE FRONT TO THE REAR OF THE CABINET)

DURABLE BLACK TEXTURED POWDER COATED FINISH

CUSTOM COLOURS AND SIZES AVAILABLE ON REQUEST