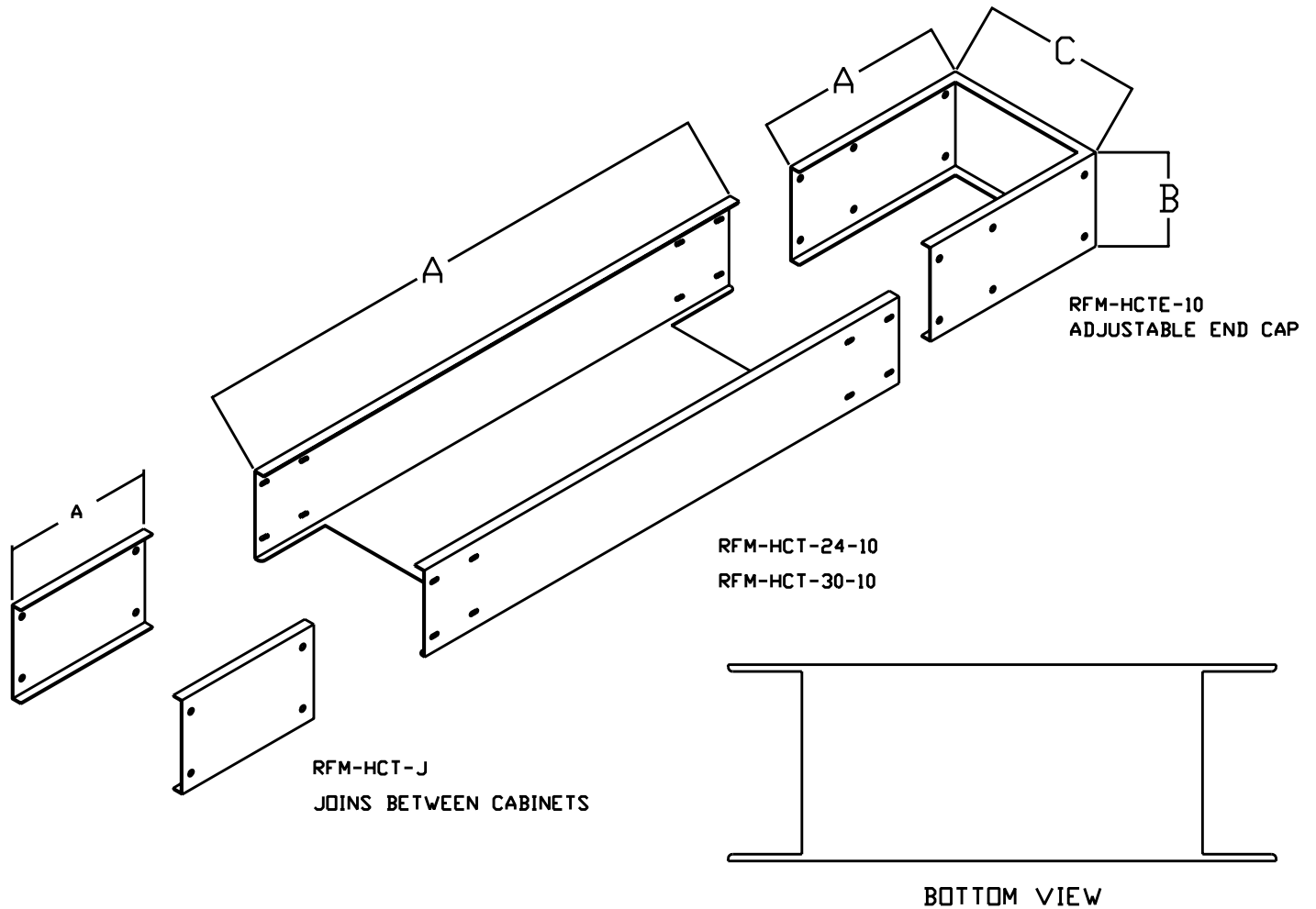


HORIZONTAL CABLE TROUGH FOR CABINETS - HIGH DENSITY

PART NUMBER	A	B	C	PART FITS ALL OUR
RFM-HCT-30-10	30.00	4.75	10.75	30"W CABS. (30", 36" OR 42" DEPTH)
RFM-HCT-24-10	23.85	4.75	10.75	24"W CABINETS (36" OR 42" DEPTH)
RFM-HCTE-10	ADJ.	4.56	10.563	TROUGHS (END CAP)
RFM-HCTJ	7.40	4.50	n/a	TROUGHS (JOINER)



HEAVY GAUGE STEEL

MODULAR DESIGN

DURABLE BLACK TEXTURED POWDER
 COATED FINISH

CUSTOM COLOURS AND SIZES AVAILABLE
 ON REQUEST