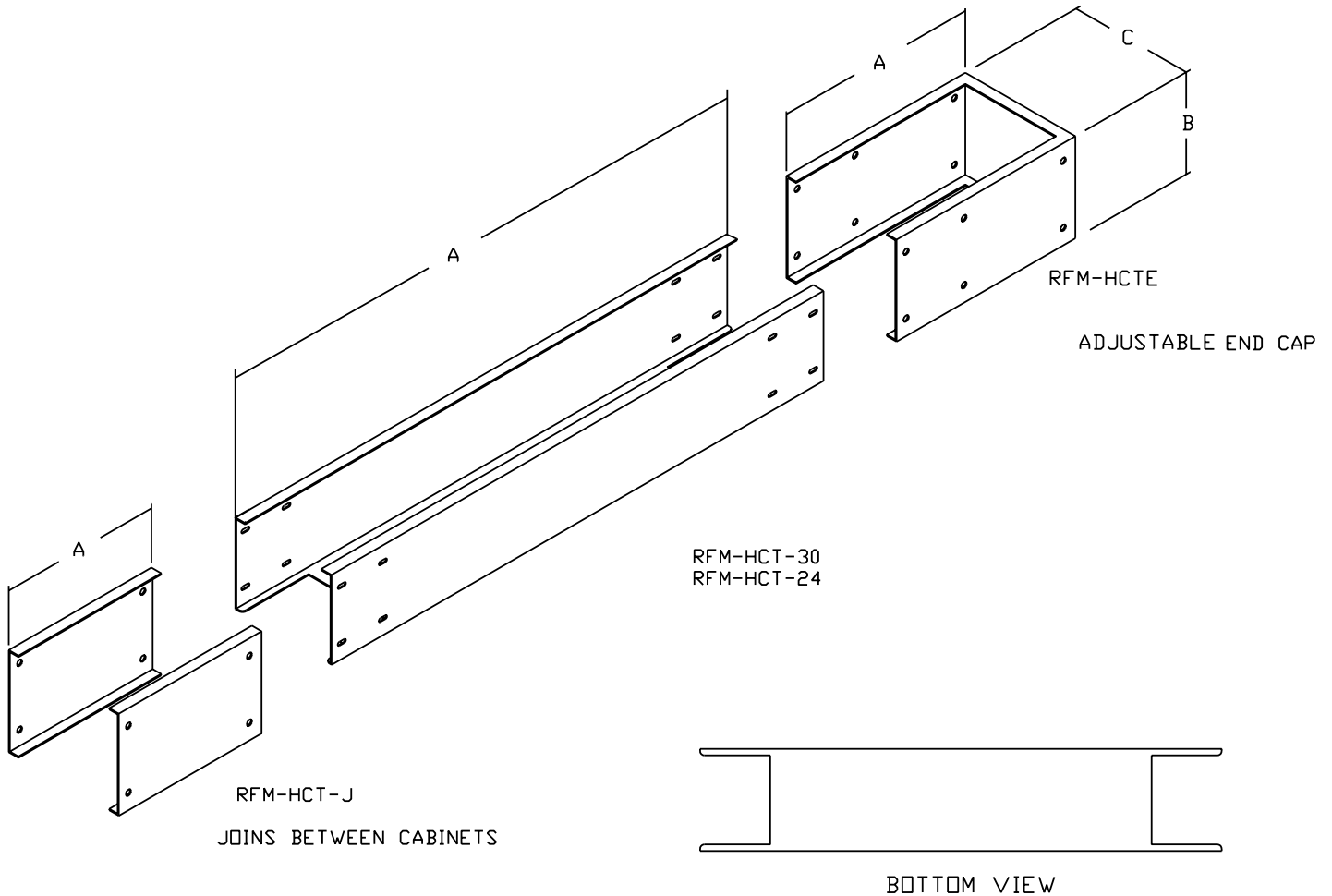


HORIZONTAL CABLE TROUGH FOR CABINETS

PART NUMBER	A	B	C	PART FITS ALL OUR
RFM-HCT-30	30.00	4.75	5.88	30"W CABINETS
RFM-HCT-24	23.85	4.75	5.88	24"W CABINETS
RFM-HCTE	ADJ.	4.56	5.63	TROUGHS (END CAP)
RFM-HCTJ	7.40	4.50	n/a	TROUGHS (JOINER)



HEAVY GAUGE STEEL

MODULAR DESIGN

DURABLE BLACK TEXTURED POWDER
COATED FINISH

CUSTOM COLOURS AND SIZES AVAILABLE
ON REQUEST