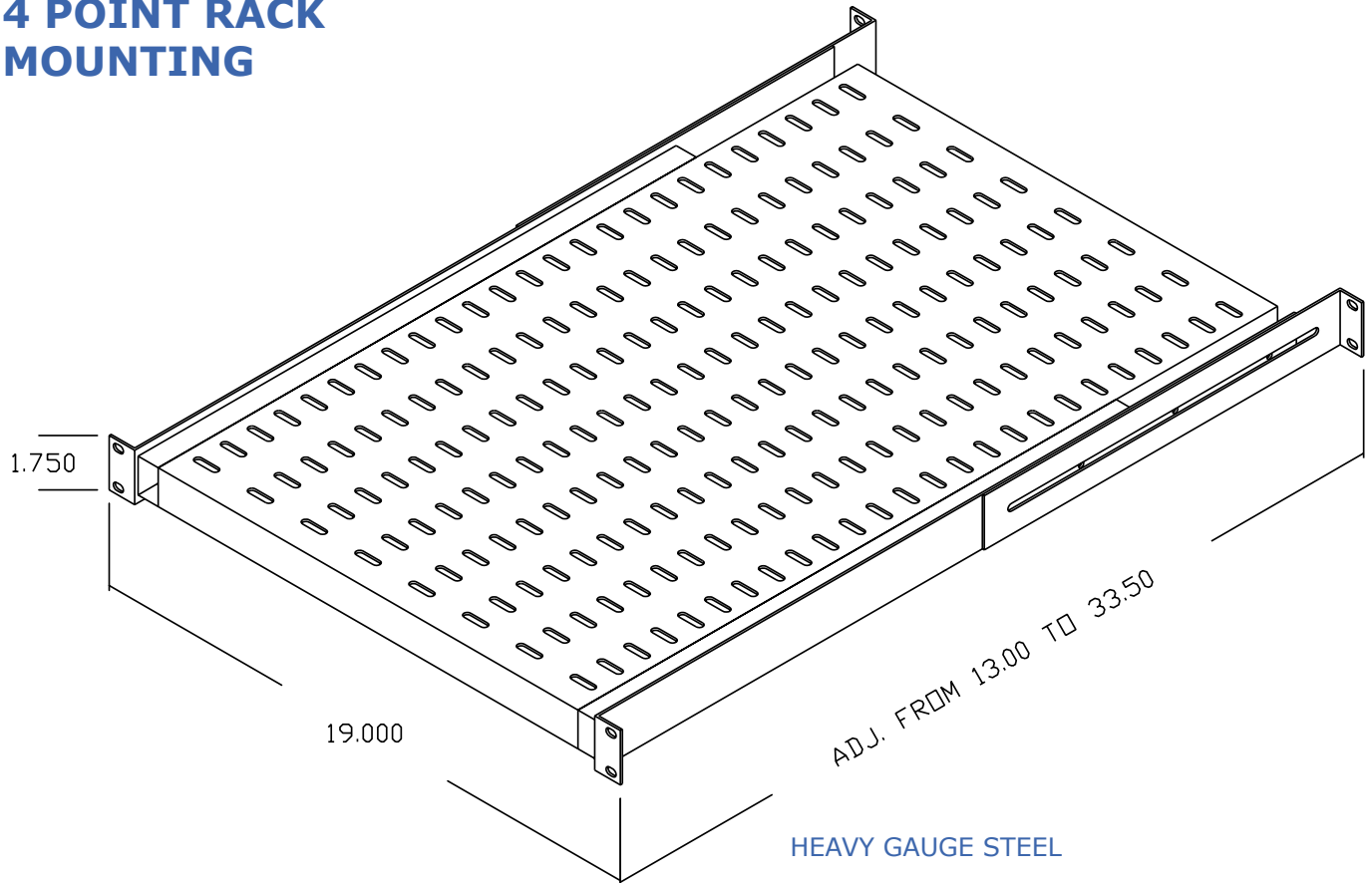


## RETRACTABLE CABINET SHELF 4 POINT RACK MOUNTING

PART NUMBER	# of U's
RFM-1726-CRS-4-1U	1U



HEAVY GAUGE STEEL

LOAD CAPACITY : 100 LBS

19" RACK MOUNT SHELF FITS CABINETS BOLTS TO EIA MOUNTING RAILS FRONT AND REAR (REQUIRES 4 MOUNTING ANGLES)

DOES NOT REQUIRE Z-RAILS

MOUNTING BRACKETS ADJUSTABLE FROM 13" TO 33.4" ALLOWING FLEXIBILITY IN EIA MOUNTING ANGLE LOCATION WITHIN CABINET

SHELF IS 26" DEEP

SUPPLIED WITH HEAVY DUTY FULL EXTENSION DRAWER SLIDES

DURABLE BLACK TEXTURED POWDER COATED FINISH

CUSTOM COLOURS AND SIZES AVAILABLE ON REQUEST