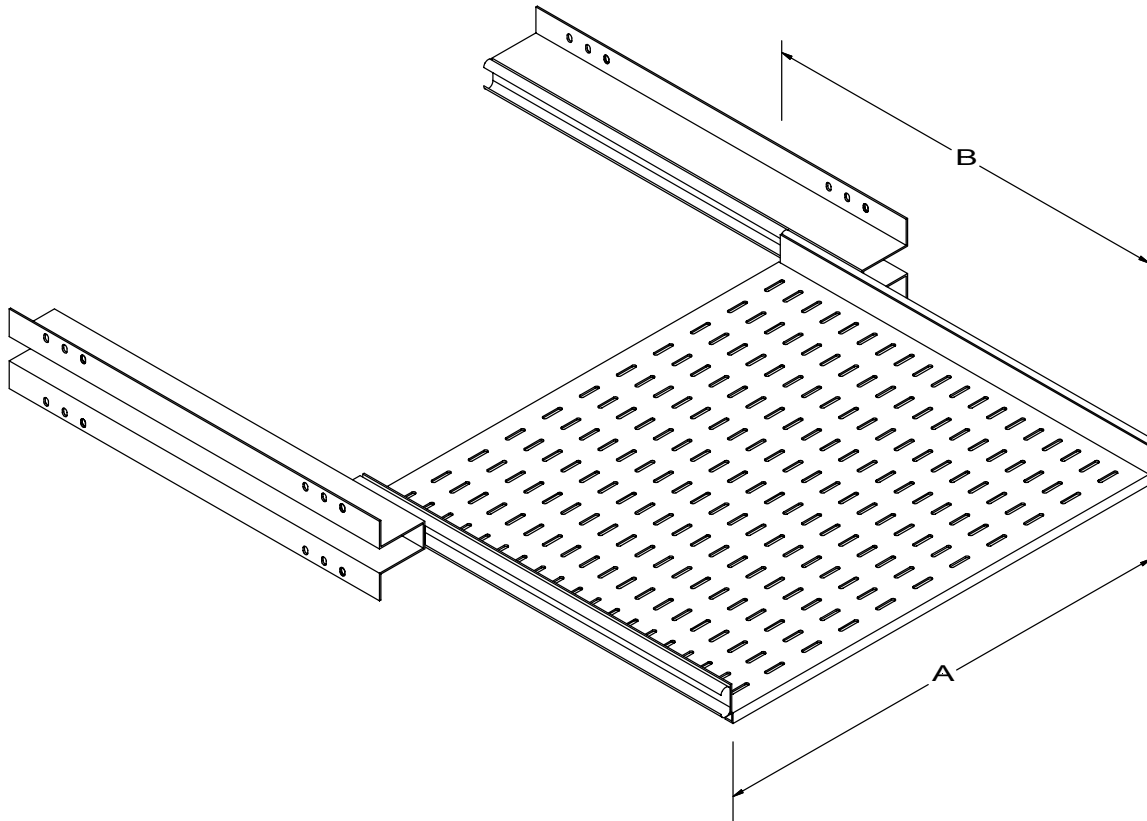


NARROW SLIDING SHELF FOR CABINETS

	PART NUMBER	A	B
30" WIDE CABINET	RFM-1720-CRS	17.63	20.00



HEAVY GAUGE STEEL

RETURN BENDS FOR STRENGTH

MULTIPLE MOUNTING LOCATIONS

PERFORATED FOR VENTILATION, MOUNTING
SERVERS, CABLE TIES AND ACCESSORIES

HEAVY DUTY FULL EXTENSION DRAWER
SLIDES

DESIGNED TO SLIDE BETWEEN
19" MOUNTING ANGLES

DURABLE BLACK TEXTURED POWDER
COATED FINISH

CUSTOM COLOURS AND SIZES AVAILABLE

**NOTE: THIS CABINET STYLE SHELVING REQUIRES
4 (FOUR) Z-RAILS FOR MOUNTING CABINETS**