

MOUNTING INSTRUCTIONS: WALL MOUNT CABINET EXTENDER RFM-6X-WM / RFM-6X-WM-36 / RFM-6X-WM-48

NOTE:

RFM SERIES WALL MOUNT CABINETS ARE FACTORY ASSEMBLED WITH HINGE AND LOCKING MECHANISM INSTALLED SO CABINET SWINGS OPEN CLOCKWISE (TOWARD THE LEFT HAND SIDE).

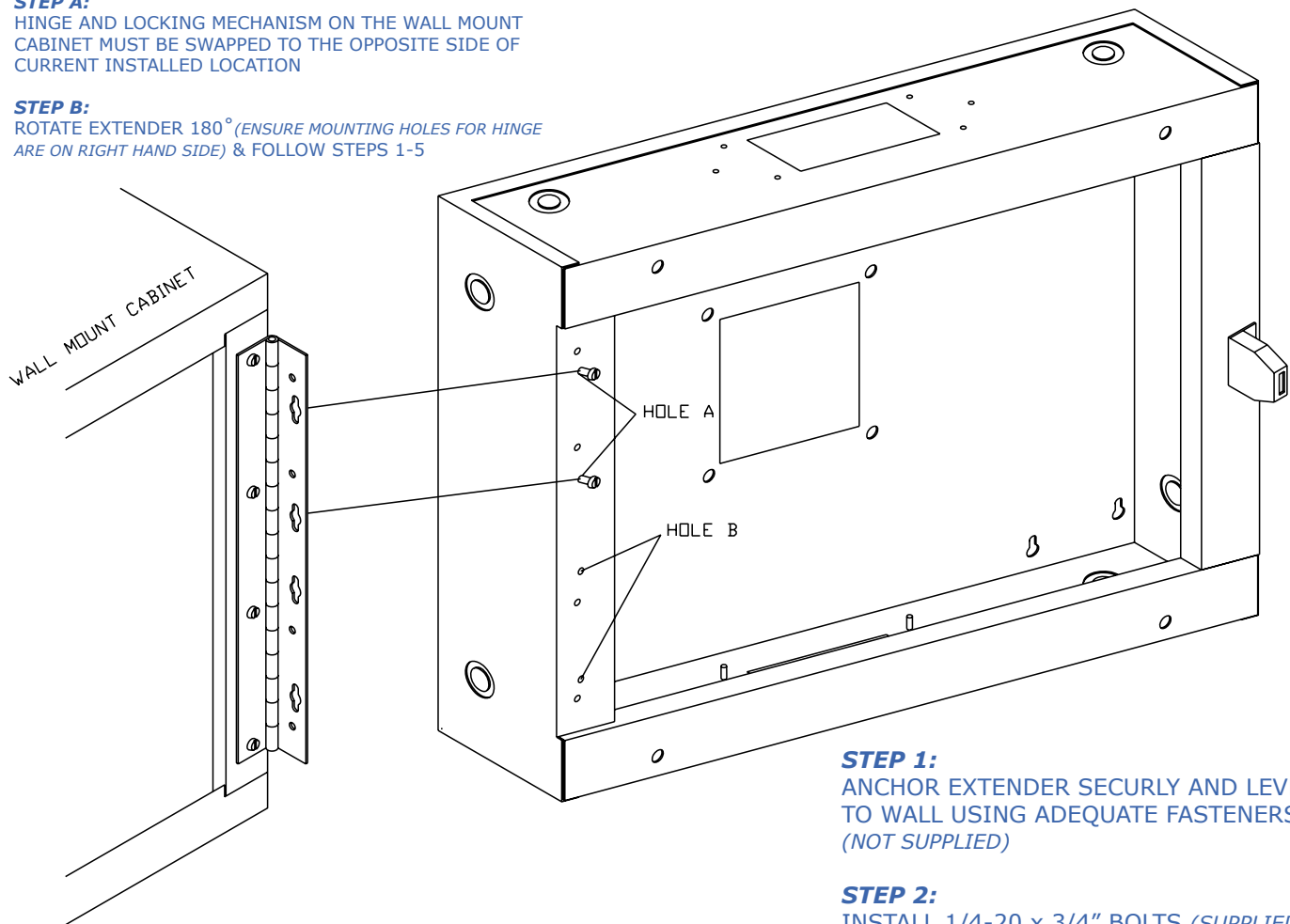
TO CHANGE SWING DIRECTION OF WALL MOUNT CABINET:

STEP A:

HINGE AND LOCKING MECHANISM ON THE WALL MOUNT CABINET MUST BE SWAPPED TO THE OPPOSITE SIDE OF CURRENT INSTALLED LOCATION

STEP B:

ROTATE EXTENDER 180° (ENSURE MOUNTING HOLES FOR HINGE ARE ON RIGHT HAND SIDE) & FOLLOW STEPS 1-5



STEP 1:

ANCHOR EXTENDER SECURELY AND LEVEL TO WALL USING ADEQUATE FASTENERS (NOT SUPPLIED)

STEP 2:

INSTALL 1/4-20 x 3/4" BOLTS (SUPPLIED) IN HOLES A, LEAVING APPROX. 1/2" GAP (SEE DIAG.)

STEP 3:

HANG WALL MOUNT CABINET ON BOLTS YOU INSTALLED IN STEP 2

STEP 4:

INSTALL 1/4-20 x 3/4" BOLTS (SUPPLIED) THROUGH WALLMOUNT HINGE INTO HOLES B ON EXTENDER (SEE DIAG.)

STEP 5:

TIGHTEN ALL BOLTS INSTALLED IN STEPS 2 AND 4 EVENLY AND SECURELY