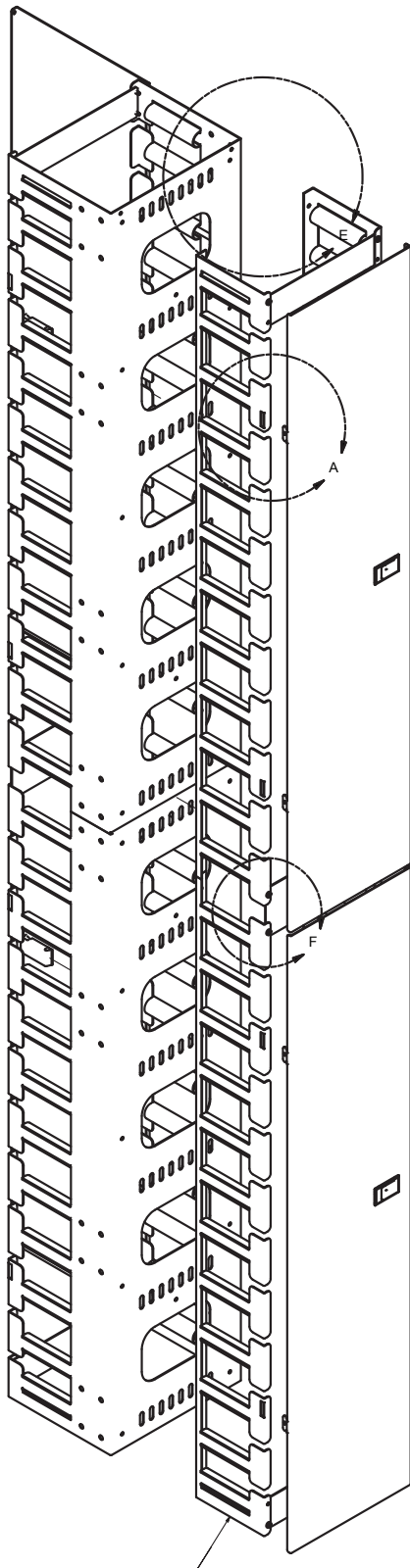
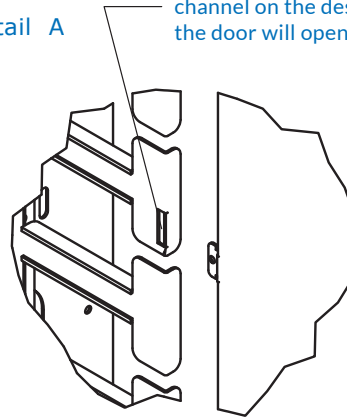


High Density Rack Cable Manager Dual Sided Kit - Installation



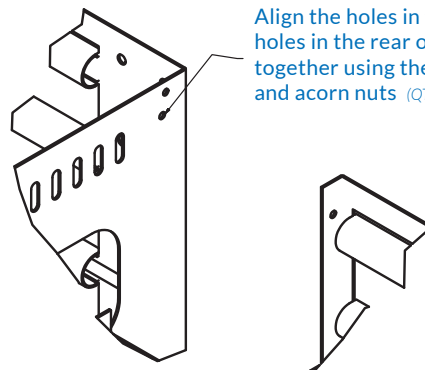
Detail A

Align the door tabs with the slots in the channel on the desired hinge side for which the door will open



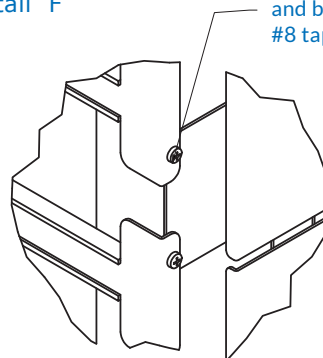
Detail E

Align the holes in the DSK channels with the holes in the rear of the cable manager and attach together using the supplied #10-32 x 1/4" screws and acorn nuts (QTY:20)



Detail F

Attach the center stiffener to join the top and bottom DSK channels. Use the supplied #8 tapping screws to fasten (QTY:4)



Notice the orientation of the finger spacing; the close gap between cutouts will go to the top and bottom